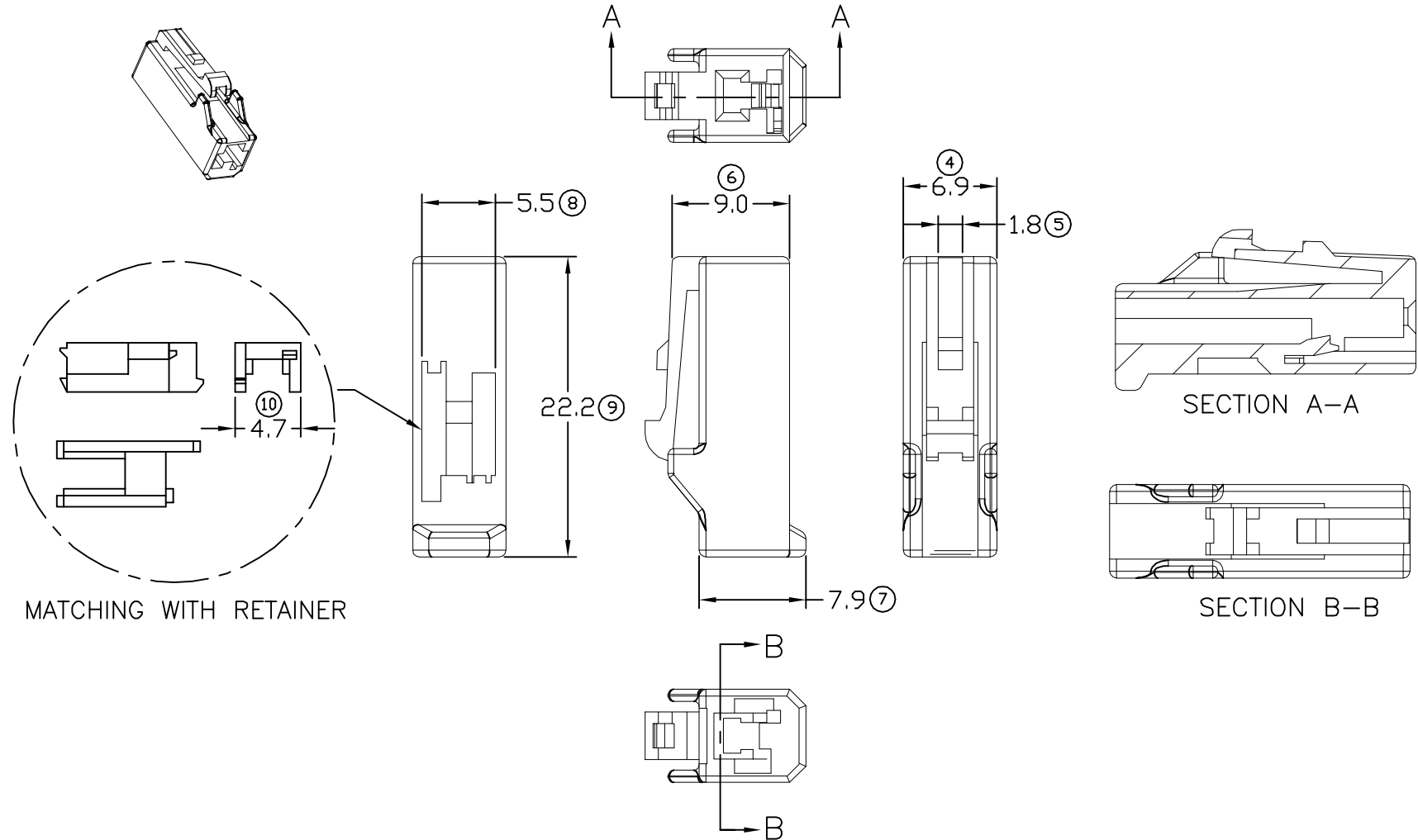


# HOUSING SPECIFICATION DRAWING

UNCONTROLLED COPY



- 3) PART NO: TS096BN-1F01NT=HOUSING
- 2) PART NO: TS096CN-1F01NT=RETAINER
- 1) PACKING QTY: 200 PCS/BAG

SPECIFICATION :

**FOR REFERENCE ONLY**

			REVISION: 00	DIMENSIONS : MM	DWN: KS YEW	-
			⊕	TOLERANCE UNLESS OTHERWISE SPECIFIED:	CHK: C.Y CHUANG	NATURAL
				X.XXX +/-0.05	APVD: Y.L CHUANG	PBT
				X.XX +/-0.10	SCALE : FREE	TS096AN-1F01NT
				X.X +/-0.20	DRAWING NO:	COLOR
				X +/-0.50	A1519	MATERIAL
				EFFECTIVE DATE :		PART NUMBER
				2/3/09		
00	2/3/09	REV: TEMP-FOR REFERENCE USE ONLY CHANGE TO 00-1ST ISSUE.	SHEET OF : 1 / 1			
TEMP	14/2/08	FOR REFERENCE USE ONLY				
REV.	DATE	AMENDMENT				

**EPI** Terminals & Connectors  
Elamp Precision Industry(M) Sdn.Bhd.  
PART NAME:  
1 POLE TS SERIES HOUSING  
APPLICABLE (1) TERMINALS (2) HOUSING  
(1) 17096H/M/S  
(2) TS096AN-1M01NT