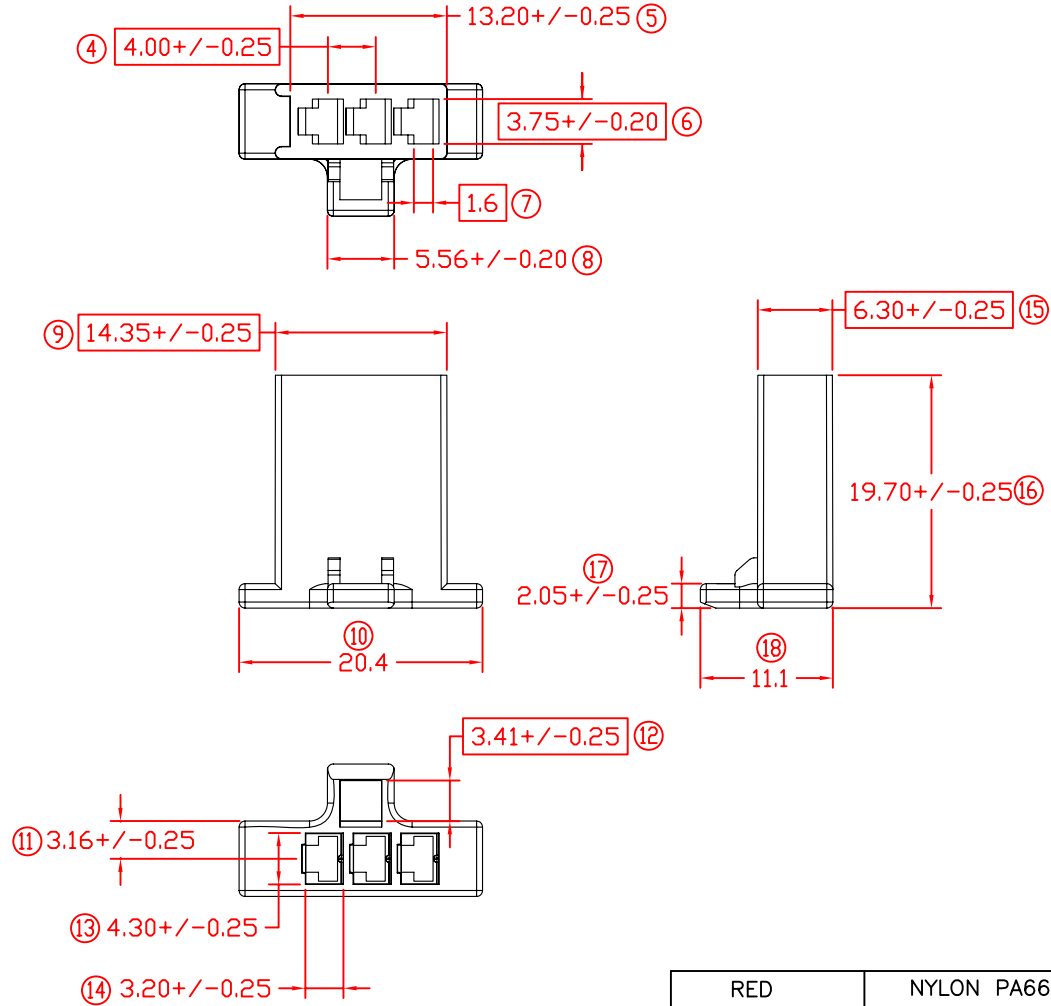
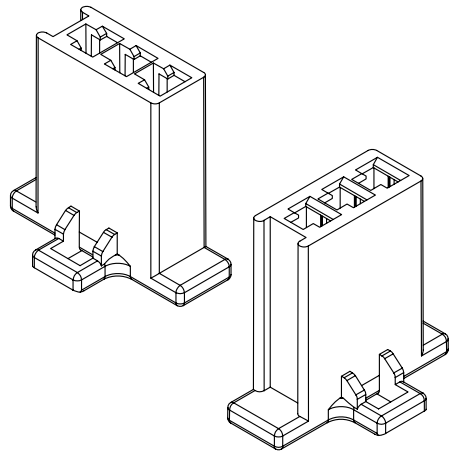


HOUSING SPECIFICATION DRAWING

UNCONTROLLED COPY



☐ MATCHING DIMENSION

- 3) TERMINALS—LOCK TYPE.
- 2) 3-WAYS FFEMALE HOUSING.
- 1) PACKING QTY: 200 PCS/BAG

SPECIFICATION :

FOR REFERENCE ONLY

			REVISION: 01
01	14/12/10	ADD PART NUMBER: 110F3LA-RD	
00	7/10/08	NEW RELEASE	
REV.	DATE	AMENDMENT	SHEET OF : 1 / 1

DIMENSIONS : MM
TOLERANCE UNLESS OTHERWISE SPECIFIED:
X.XXX +/- 0.05
X.XX +/- 0.10
X.X +/- 0.20
X +/- 0.50
EFFECTIVE DATE : 14/12/10

RED	NYLON PA66(V2)	110F3LA-RD
BLACK	NYLON PA66(V2)	110F3LA-BK
NATURAL GREEN	NYLON PA66(V2)/A218	110F3LA
COLOR	MATERIAL	PART NUMBER
PREPARE BY: KS YEOW	Terminals & Connectors Elamp Precision Industry(M) Sdn.Bhd.	
REVIEWED BY: KP YEOH		
APPROVED BY: CY CHUANG	PART NAME: 110 SERIES HOUSINGS WITH LOCK	
SCALE FREE	APPLICABLE (1) TERMINALS (2) HOUSING	
DRAWING NO: A1530	(1) 171103 (2) 110M3L	