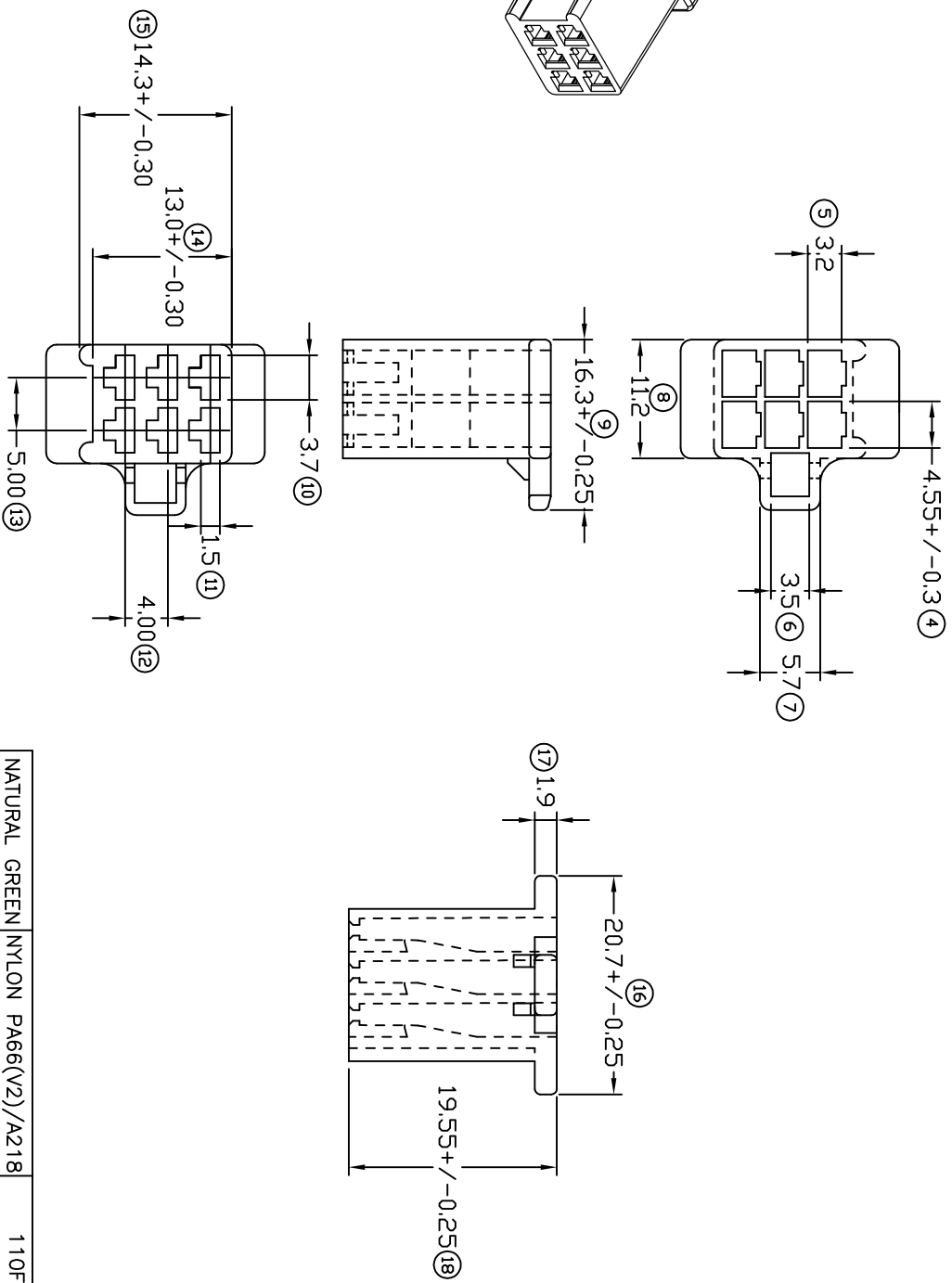
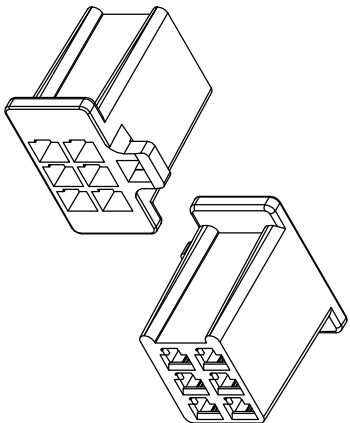


HOUSING SPECIFICATION DRAWING

UNCONTROLLED COPY



FOR REFERENCE ONLY

- 3) TERMINALS-LOCK TYPE.
- 2) 6-WAYS FEMALE HOUSING.
- 1) PACKING QTY: 200 PCS/BAG

SPECIFICATION :

REVISION:	03
SHEET OF :	1 / 1

TOLERANCE UNLESS OTHERWISE SPECIFIED:	X.XXX +/- -0.05
	X.XX +/- -0.10
	X.X +/- -0.20
	X +/- -0.50
EFFECTIVE DATE :	7/11/07

DIMENSIONS : MM	DWN: KS YEW
CHK: HY LIM	APVD: CHUANG
SCALE : FREE	DRAWING NO: A1463-1

PART NAME:	110 SERIES HOUSINGS WITH LOCK
APPLICABLE (1) TERMINALS (2) HOUSING	(1) 171103 (2) 110M6L

NATURAL GREEN	NYLON PA66(V2)/A218	110F6LA
BROWN	NYLON PA66(V2)	110F6LA-BR
BLACK	NYLON PA66(V2)	110F6LA-BK
COLOR	MATERIAL	PART NUMBER

EPI Terminals & Connectors
 Elamp Precision Industry(M) Sdn.Bhd.