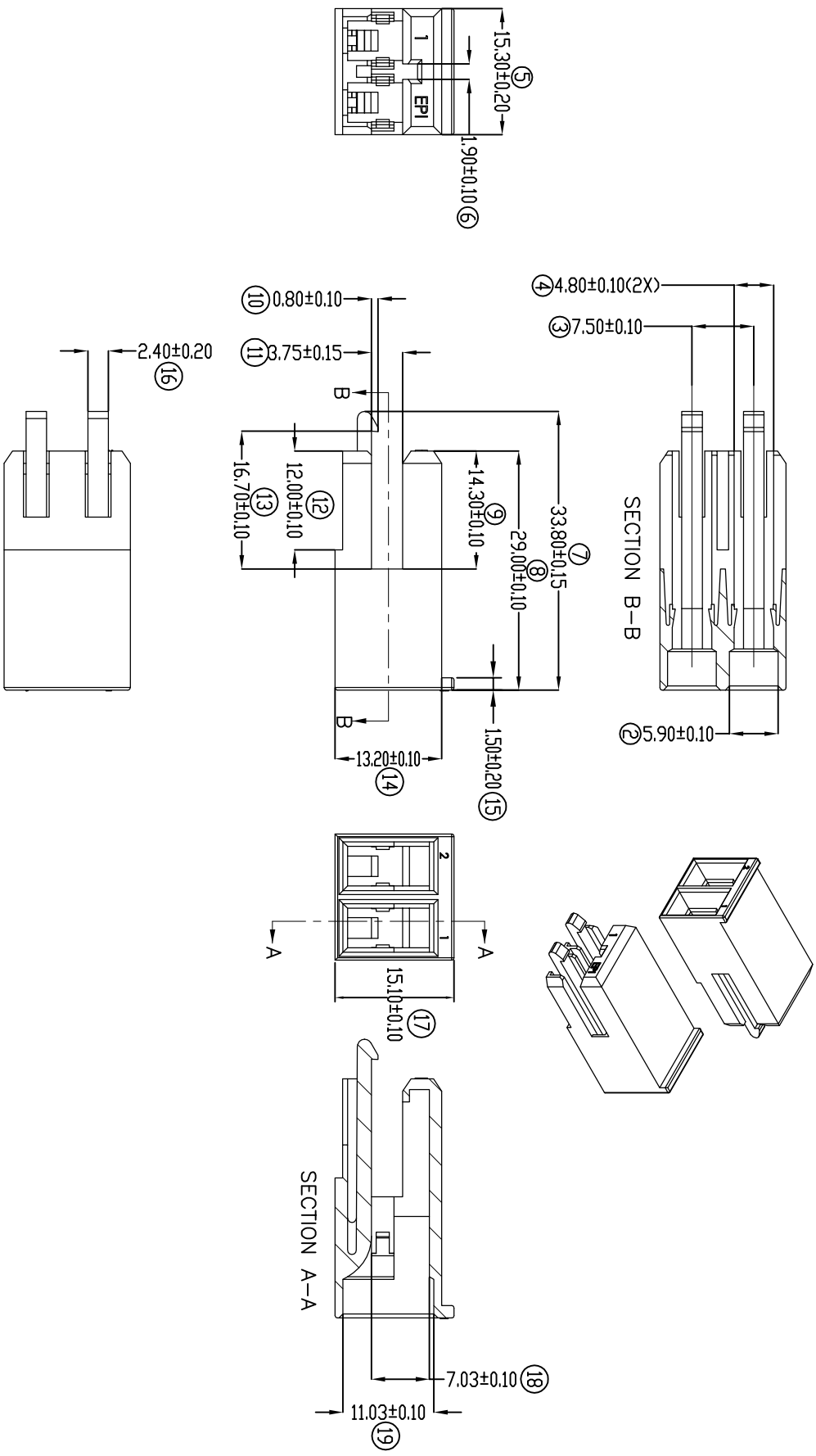


# HOUSING SPECIFICATION DRAWING

UNCONTROLLED COPY



1) PACKING QTY: - PCS/BAG

SPECIFICATION :

**FOR REFERENCE ONLY**

DIMENSIONS : MM  
 TOLERANCE UNLESS  
 OTHERWISE SPECIFIED:

X.XXX +/-0.05  
 X.XX +/-0.10  
 X.X +/-0.20  
 X +/-0.50

REVISION:  
 TEMP



SHEET OF :  
 1 / 1

AMENDMENT

DWN: G.T.SOH

CHK: CHUANG

APVD: CHUANG

SCALE : FREE  
 DRAWING NO: A1525

EFFECTIVE DATE :  
 8/7/08

TEMP	8/7/08	FOR TRIAL RUN ONLY			
REV.	DATE	AMENDMENT			
			BLACK	LCP UL94 V-0	131831H2
			COLOR		PART NUMBER
			<b>EPI</b> Terminals & Connectors Elamp Precision Industry(M) Sdn.Bhd.		
			PART NAME: HIGH TEMP. HEATER CONN.		
			APPLICABLE (1) TERMINALS (2) HOUSING		
			(1) 131831 (2) -		