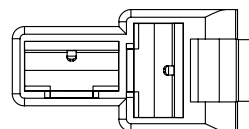
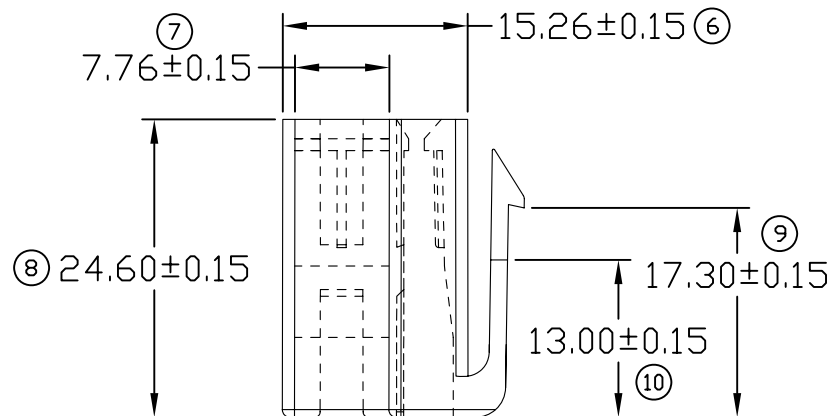
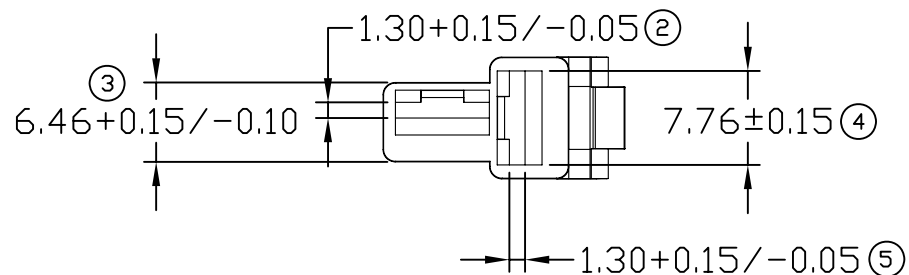
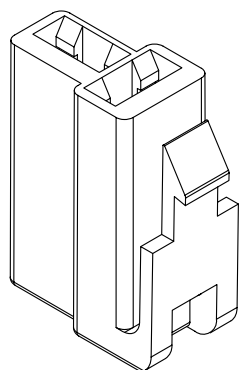


# HOUSING SPECIFICATION DRAWING

UNCONTROLLED COPY



-	-	-
NATURAL	POLY PROPLENE	250F2SL
COLOR	MATERIAL	PART NUMBER

1) PACKING QTY: 200 PCS/BAG

SPECIFICATION :

**FOR REFERENCE ONLY**

DIMENSIONS : MM

TOLERANCE UNLESS OTHERWISE SPECIFIED:

- X.XXX +/-0.05
- X.XX +/-0.10
- X.X +/-0.20
- X +/-0.50

DWN: KS YEWE

CHK: C.Y CHUANG

APVD: Y.L CHUANG

SCALE : FREE

DRAWING NO:

A1545

**EPI** Terminals & Connectors  
Elamp Precision Industry(M) Sdn.Bhd.

PART NAME:  
250 SERIES HOUSING WITH LOCK  
APPLICABLE (1) TERMINALS (2) HOUSING  
(1) 172503  
(2) 250M2SL

			REVISION: 00
00	20/7/09	1ST ISSUE	SHEET OF : 1 / 1
REV.	DATE	AMENDMENT	EFFECTIVE DATE : 20/7/09