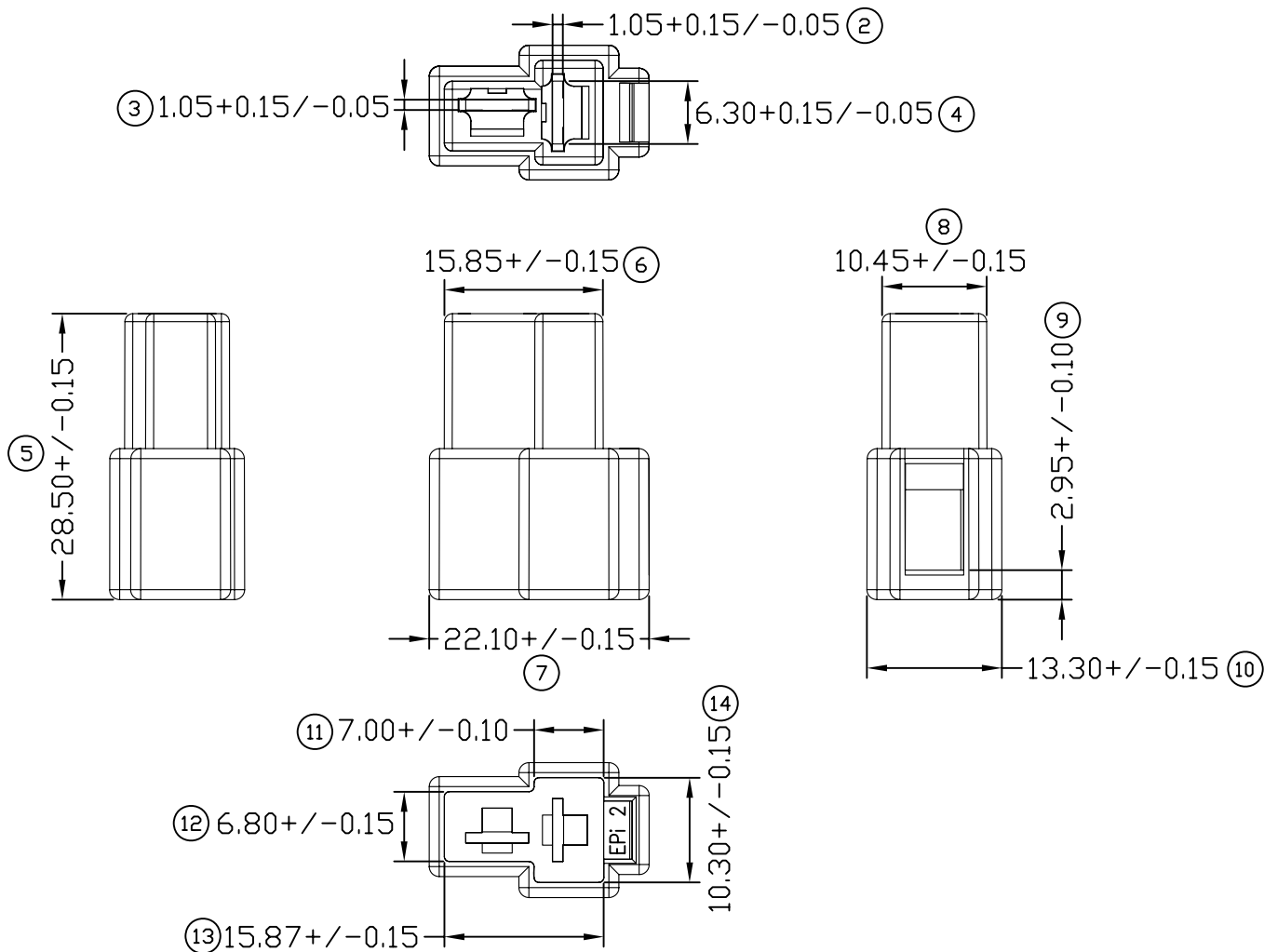
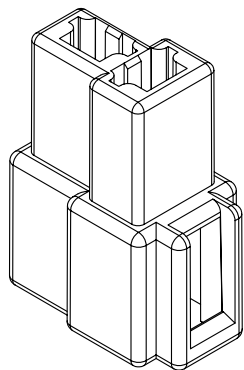


# HOUSING SPECIFICATION DRAWING

UNCONTROLLED COPY



1) PACKING QTY: 200 PCS/BAG

SPECIFICATION :

**FOR REFERENCE ONLY**

|      |          |  |
|------|----------|--|
| 01   | 29/4/10  | ADD ITEM 250M2SL-BK                                      |
| 00   | 26/10/09 | REV: TEMP-FOR TRIAL RUN ONLY CHANGE TO REV: 00-1ST ISSUE |
| TEMP | 3/8/09   | FOR TRIAL RUN ONLY                                       |
| REV. | DATE     | AMENDMENT  |

|                     |
|---------------------|
| REVISION:<br>01     |
|                     |
| SHEET OF :<br>1 / 1 |

|                                       |
|---------------------------------------|
| DIMENSIONS : MM                       |
| TOLERANCE UNLESS OTHERWISE SPECIFIED: |
| X.XXX +/-0.05                         |
| X.XX +/-0.10                          |
| X.X +/-0.20                           |
| X +/-0.50                             |
| EFFECTIVE DATE :<br>29/4/10           |

|                           |                                      |             |
|---------------------------|--------------------------------------|-------------|
| BLACK                     | POLY PROPLENE                        | 250M2SL-BK  |
| NATURAL                   | POLY PROPLENE                        | 250M2SL     |
| COLOR                     | MATERIAL                             | PART NUMBER |
| PREPARE BY:<br>KS YEW     | <b>EPI</b> Terminals & Connectors    |             |
| REVIEWED BY:<br>KP YEOH   | Elamp Precision Industry(M) Sdn.Bhd. |             |
| APPROVED BY:<br>YL CHUANG | PART NAME:<br>250 SERIES HOUSING     |             |
| SCALE : FREE              | APPLICABLE (1) TERMINALS (2) HOUSING |             |
| DRAWING NO:<br>A1548      | (1) 272503                           |             |
|                           | (2) 250F2SL                          |             |