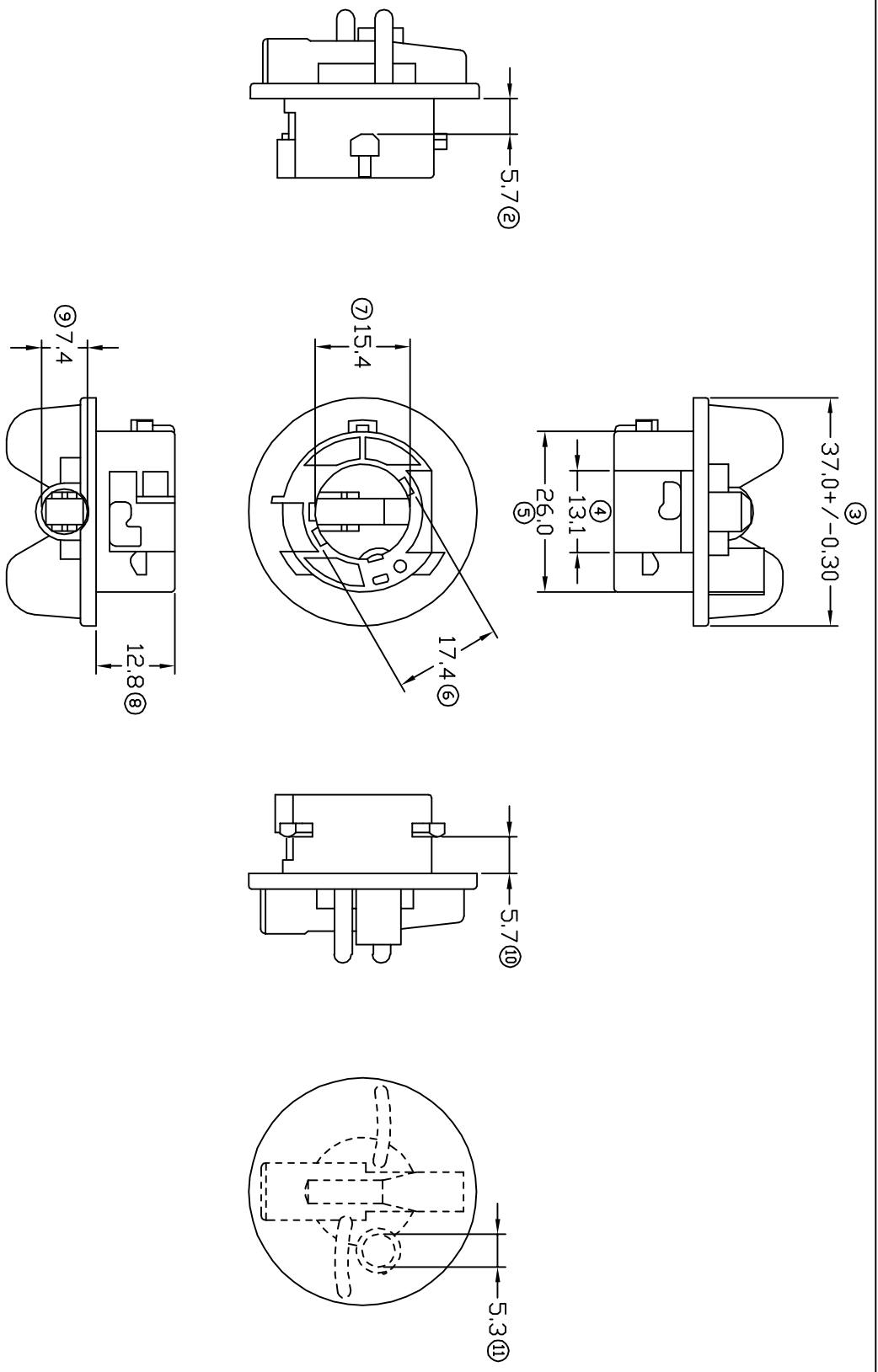


HOUSING SPECIFICATION DRAWING

UNCONTROLLED COPY



FOR REFERENCE ONLY

00	7/5/09	1ST ISSUE	SHEET OF : 1 / 1
REV.	DATE	AMENDMENT	

DIMENSIONS : MM	TOLERANCE UNLESS OTHERWISE SPECIFIED:
X.XXX +/-0.05	X.XX +/-0.10
X.XX +/-0.20	X +/-0.50
EFFECTIVE DATE : 7/5/09	

DWN: KS YEW	CHK: C Y	
APVD: CHUANG	SCALE: FREE	
DRAWING NO: A1541		
NATURAL	PBT+30%GF	AL882LN-NT
COLOR	MATERIAL	PART NUMBER
Epi Terminals & Connectors Elamp Precision Industry(M) Sdn.Bhd. PART NAME: LAMP SEAT HOUSING APPLICABLE (1) TERMINALS (2) HOUSING (1) 13860P, 13861P (2) -		