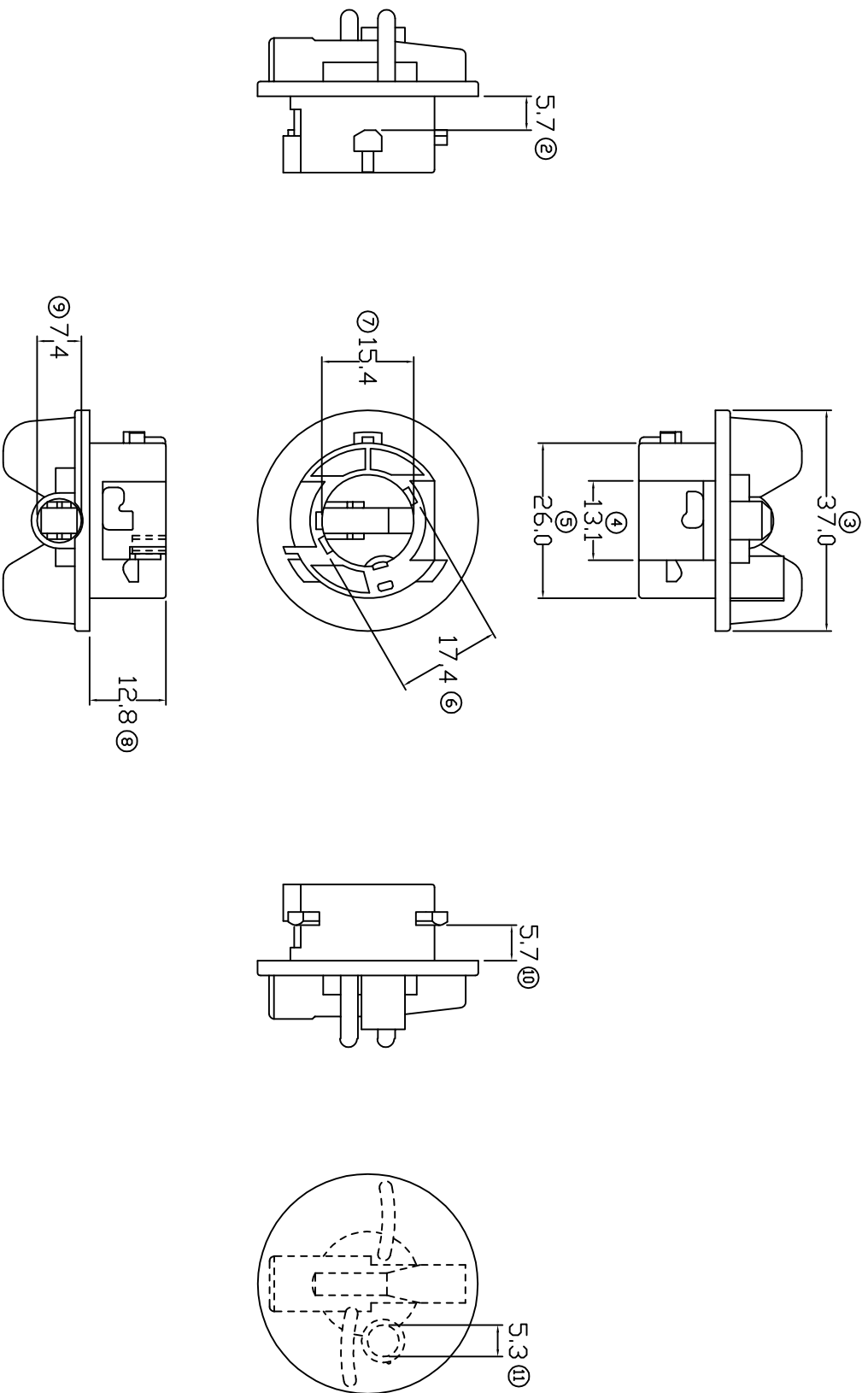


HOUSING SPECIFICATION DRAWING

UNCONTROLLED COPY



1) PACKING QTY: 200 PCS/BAG

SPECIFICATION :

FOR REFERENCE ONLY

REVISION:

01

DATE DIM FR 36.8 TO 37.0+/-0.30, FR 25.8 TO 26.0, FR 17.5 TO 17.4

REV. DATE FR 12.7 TO 12.8

AMENDMENT

DIMENSIONS : MM

TOLERANCE UNLESS OTHERWISE SPECIFIED:

X.XXX +/-0.05
 X.XX +/-0.10
 X.X +/-0.20
 X +/-0.50

DWN: TS KH00

CHK:CY CHUANG

APVD: CHUANG

SCALE : FREE
 DRAWING NO:

A1218

EPI Terminals & Connectors
 Elamp Precision Industry(M) Sdn.Bhd.

PART NAME:
 LAMP SEAT HOUSING

APPLICABLE (1) TERMINALS (2) HOUSING
 (1) 13860P,13861P
 (2) -

BLACK PBT+30%GF AL882R-BK

ORANGE PBT+30%GF AL882R-OR

COLOR MATERIAL PART NUMBER

SHEET OF :
 1 / 1

EFFECTIVE DATE :
 10/06/2008