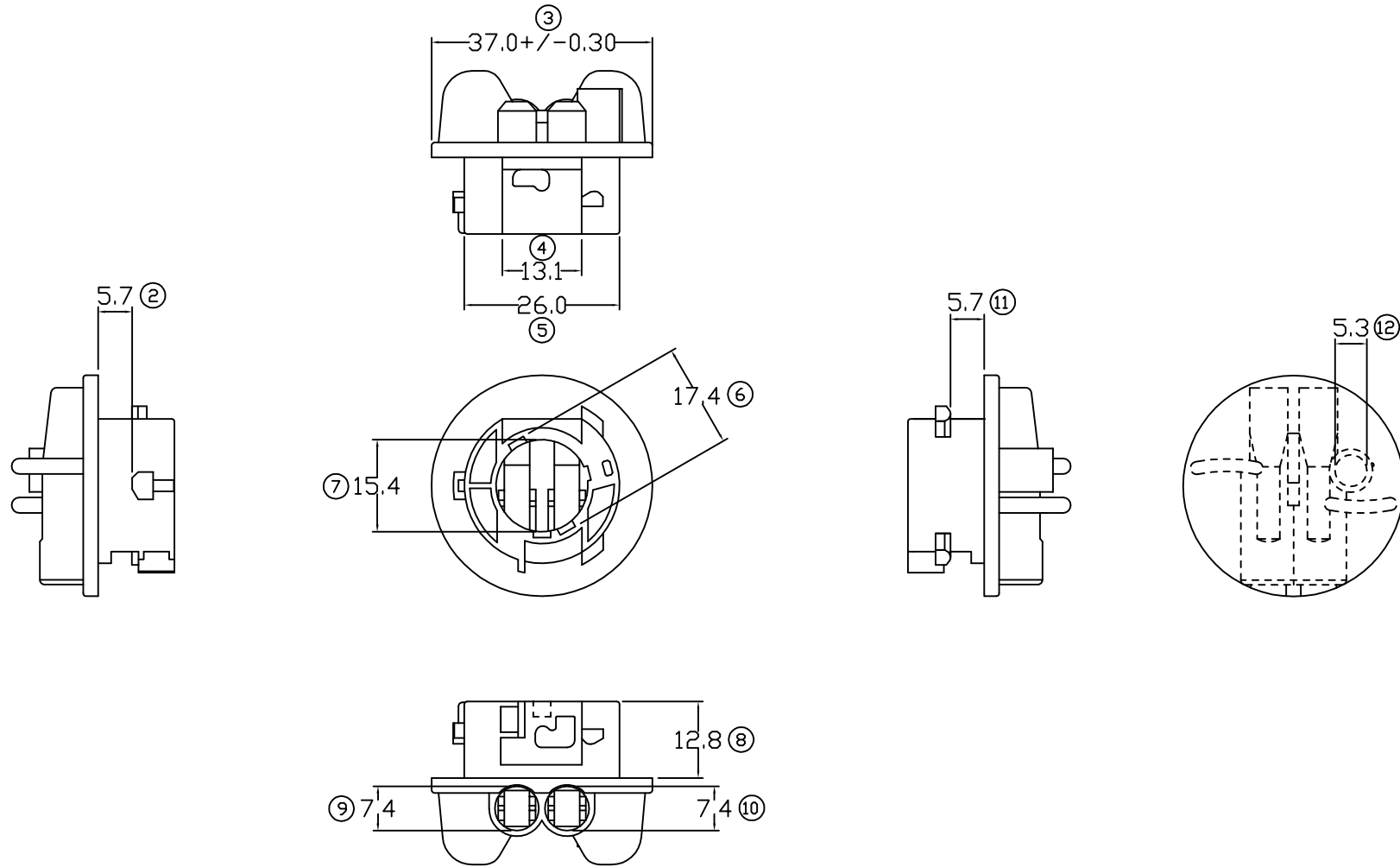


HOUSING SPECIFICATION DRAWING

UNCONTROLLED COPY



1) PACKING QTY: 200 PCS/BAG

SPECIFICATION :

FOR REFERENCE ONLY

01	10/06/2008	DIM FR 36.8 TO 37.0+/-0.30, FR 25.8 TO 26.0 , FR 17.5 TO 17.4	REVISION: 01
		FR 12.7 TO 12.8	
REV.	DATE	AMENDMENT	SHEET OF : 1 / 1

DIMENSIONS : MM	DWN: TS KHOO	EPI Terminals & Connectors
TOLERANCE UNLESS OTHERWISE SPECIFIED:	CHK:CY CHUANG	Elamp Precision Industry(M) Sdn.Bhd.
X.XXX +/-0.05	Y.L	PART NAME:
X.XX +/-0.10	APVD: CHUANG	LAMP SEAT HOUSING
X.X +/-0.20	SCALE : FREE	APPLICABLE (1) TERMINALS (2) HOUSING
X +/-0.50	DRAWING NO:	(1) 13860P,13861P
	A1217	(2) -
EFFECTIVE DATE : 10/06/2008		