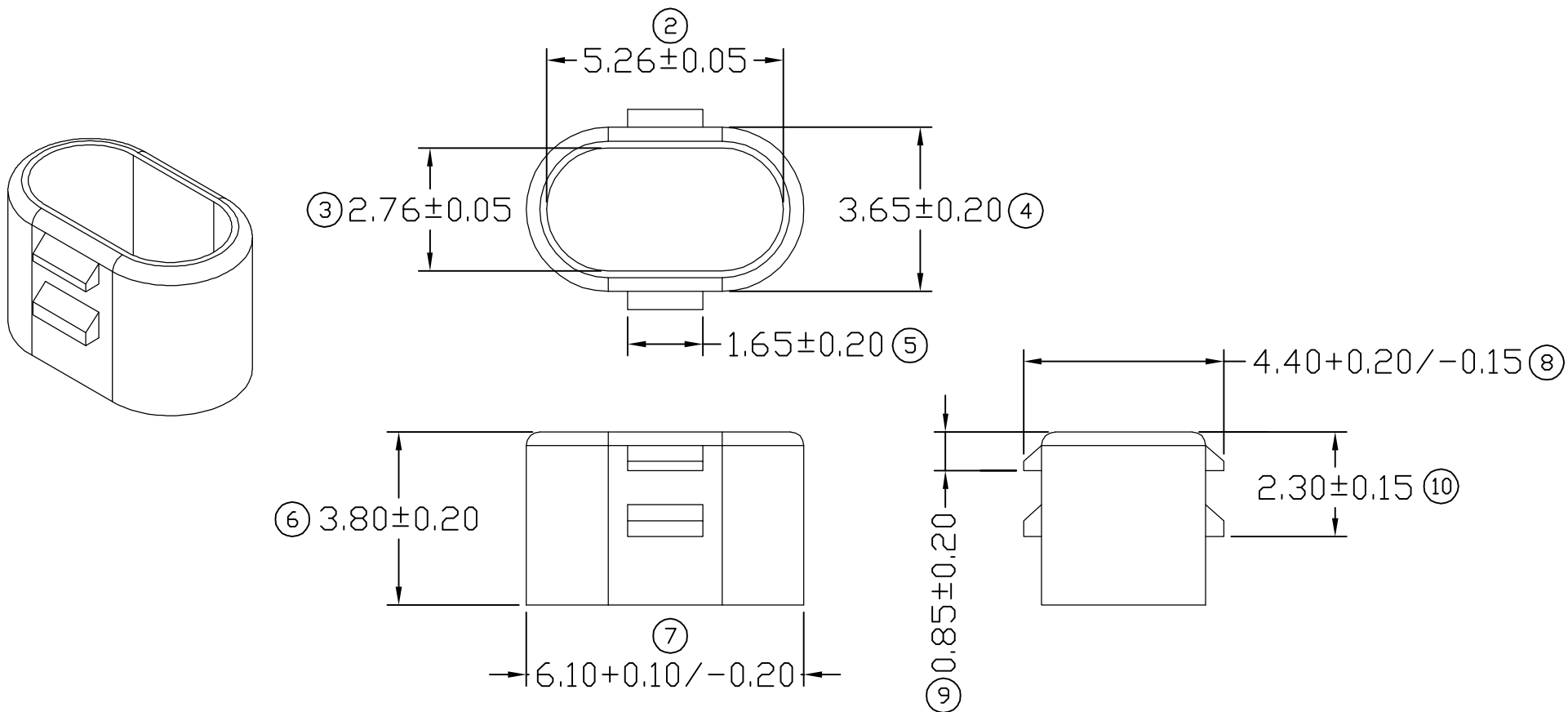


# HOUSING SPECIFICATION DRAWING

UNCONTROLLED COPY



1) PACKING QTY: 1000 PCS/BAG

SPECIFICATION :

**FOR REFERENCE ONLY**

DIMENSIONS : MM		DWN: KS YEW	<b>EPI</b> Terminals & Connectors Elamp Precision Industry(M) Sdn.Bhd.
TOLERANCE UNLESS OTHERWISE SPECIFIED:		CHK: C.Y CHUANG	
X.XXX	+/-0.05	Y.L	PART NAME: 2.5 MINI SPLASH PROOF CONN. CRIMP RECEPTACLE
X.XX	+/-0.10	APVD: CHUANG	APPLICABLE (1) TERMINALS (2) HOUSING
X.X	+/-0.20	SCALE : FREE	(1) -
X	+/-0.50	DRAWING NO:	(2) AM050BR-1F02BK
SHEET OF : 1 / 1		A1535	
EFFECTIVE DATE : 14/4/09			

00	14/4/09	1ST ISSUE
TEMP1	24/3/09	② 5.20±0.15 CHANGE TO 5.26±0.05, ③ 2.70±0.15 CHANGE TO 2.76±0.05.
TEMP	4/3/09	FOR TRAIL RUN ONLY
REV.	DATE	AMENDMENT

REVISION:	00
SHEET OF :	1 / 1