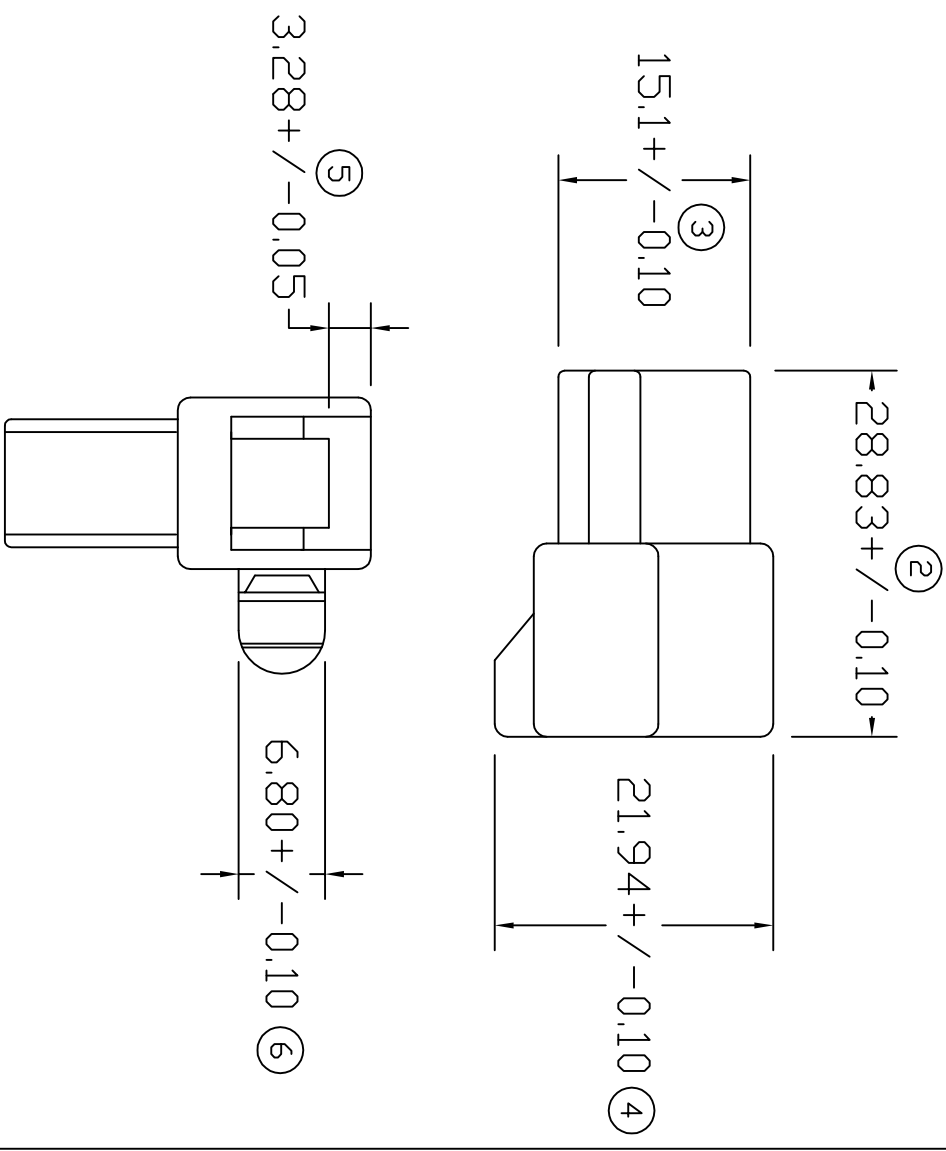
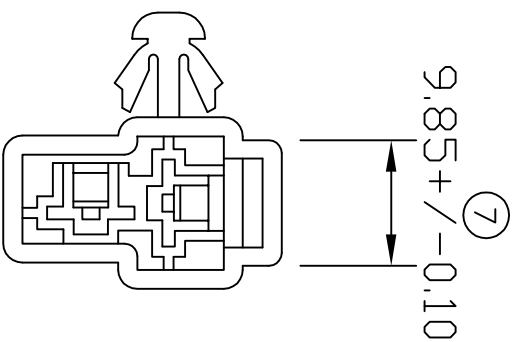
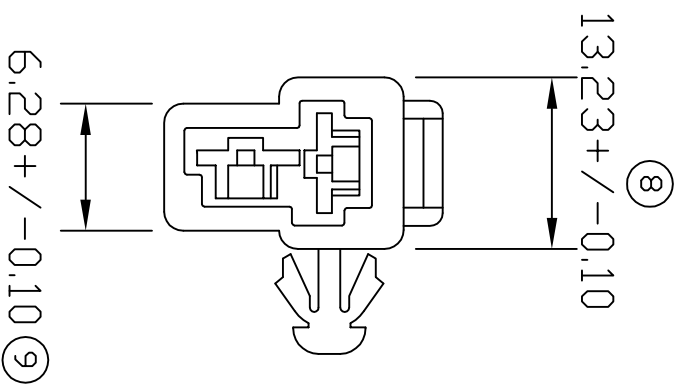


# HOUSING SPECIFICATION DRAWING



**FOR REFERENCE ONLY**

1) PACKING QTY: 400 PCS/BAG

SPECIFICATION :

REVISION:	00
SHEET OF :	1 / 1

DIMENSIONS : MM	
TOLERANCE UNLESS OTHERWISE SPECIFIED:	X.XXX +/-0.05 X.XX +/-0.10 X.X +/-0.20 X +/-0.50
EFFECTIVE DATE :	20/8/07

DWN: KS YE'W	GREY	NYLON PA66(V2)	CN2MSP-GY
CHK: HY LIM	BLUE	NYLON PA66(V2)	CN2MSP-BU
APVD: CHUANG	NATURAL	NYLON PA66(V2)	CN2MSP
SCALE : FREE	COLOR	MATERIAL	PART NUMBER

**EPI** Terminals & Connectors  
Elamp Precision Industry(M) Sdn.Bhd.

PART NAME:  
250 SERIES HOUSING WITH LOCK

APPLICABLE (1) TERMINALS (2) HOUSING

(1) 272505

(2) CN2FSL