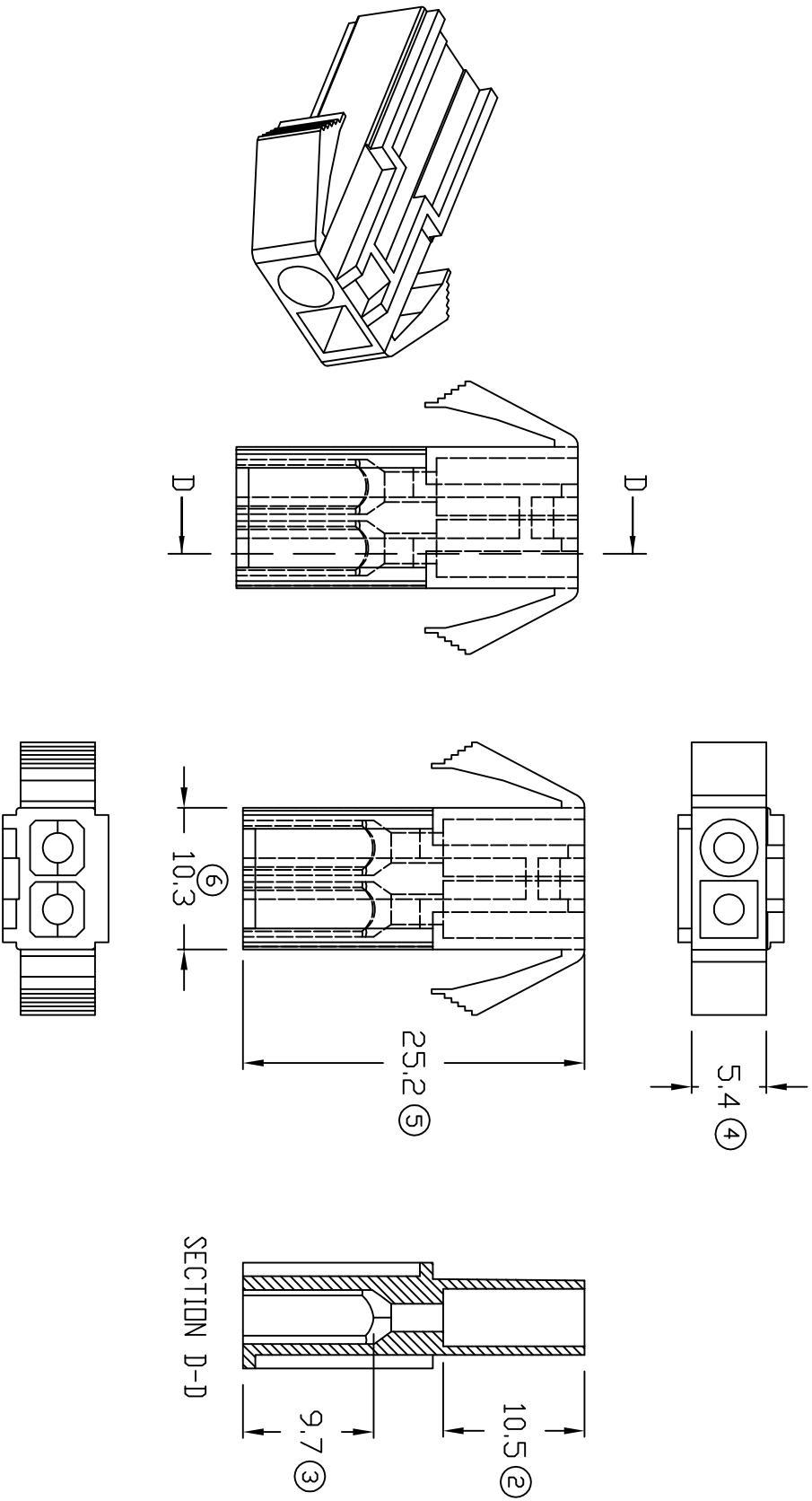


HOUSING SPECIFICATION DRAWING

UNCONTROLLED COPY



1) PACKING QTY: 1000 PCS/BAG

SPECIFICATION:

FOR REFERENCE ONLY

NO	REVISION	DATE	REASON OF CHANGE
00		9/8/07	1ST ISSUE

DIMENSIONS : MM	REVISION:
TOLERANCE UNLESS OTHERWISE SPECIFIED:	00
X.XXX +/-0.05	
X.XX +/-0.10	
X.X +/-0.20	
X +/-0.50	
EFFECTIVE DATE : 9/8/07	SHEET OF : 1 / 1

WHITE	NYLON66(VD)	ELR2
COLOR	MATERIAL	PART NUMBER
DWN: KS YE W	EPI Terminals & Connectors Elamp Precision Industry(M) Sdn.Bhd.	
CHK: SC CHOO	PART NAME:	
APVD: CHUANG	JT-EL TYPE HOUSING	
SCALE : FREE	APPLICABLE (1) TERMINALS (2) HOUSING	
DRAWING NO: A1499	(1) 18013	
	(2) ELP2	