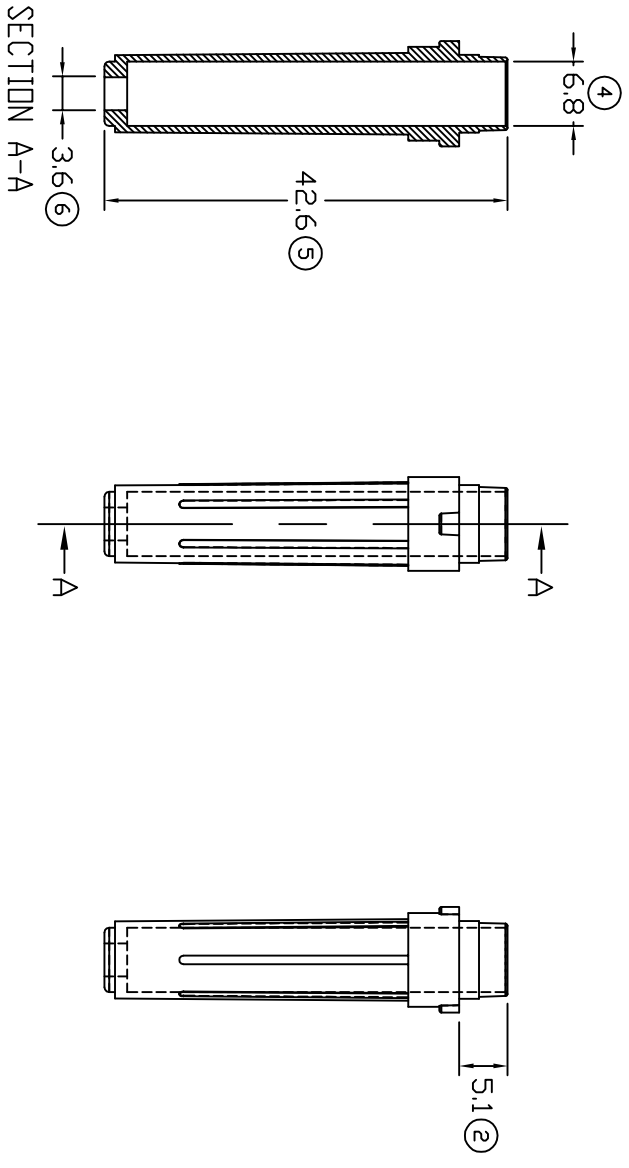
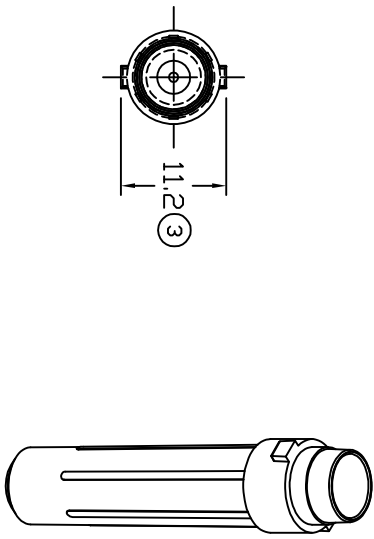


HOUSING SPECIFICATION DRAWING

UNCONTROLLED COPY



1) PACKING QTY: 500 PCS/BAG

SPECIFICATION :

FOR REFERENCE ONLY

NO	REVISION DATE	REASON OF CHANGE
00	14/9/07	1ST ISSUE

REVISION:	00
SHEET OF :	1 / 1

DIMENSIONS : MM	
TOLERANCE UNLESS OTHERWISE SPECIFIED:	
X.XXX	+/-0.05
X.XX	+/-0.10
X.X	+/-0.20
X	+/-0.50
EFFECTIVE DATE :	14/9/07

DWN: KS YE'W	
NATURAL COLOR	
NYLON PA66(V2)	FH035N-M
MATERIAL	PART NUMBER
EPI Terminals & Connectors Elamp Precision Industry(M) Sdn.Bhd.	
PART NAME: FUSE HOLDERS	
APPLICABLE (1) TERMINALS (2) HOUSING	
(1) 37045 (2) FH035N-C	
CHK: HY LIM	
APVD: CHUANG YL	
SCALE : FREE	
DRAWING NO:	A1507-H