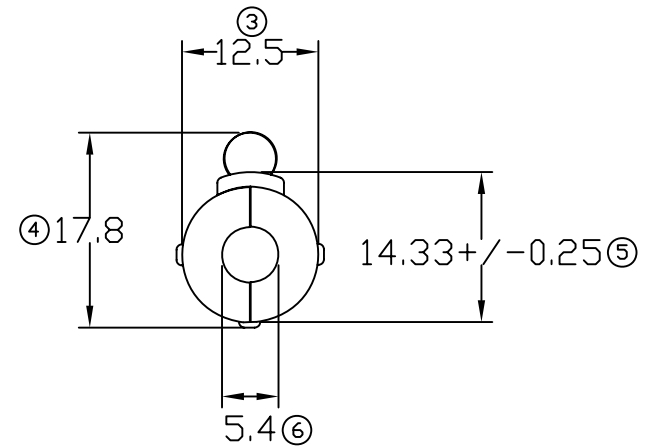
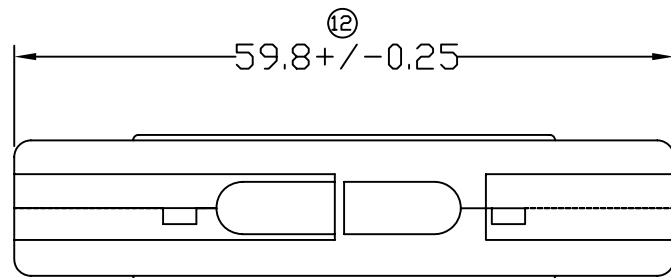
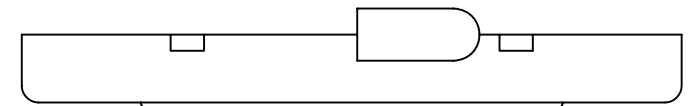
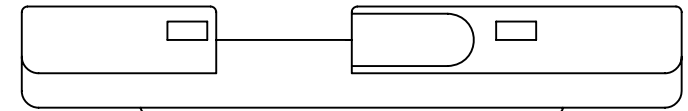
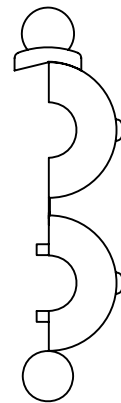
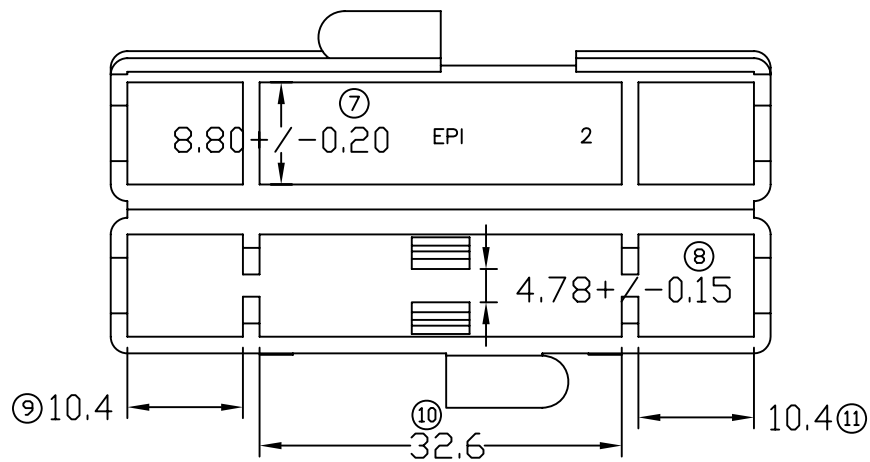


HOUSING SPECIFICATION DRAWING

UNCONTROLLED COPY



2) FOR $\phi 6.4 \times 31$ GLASS FUSE USE
 1) PACKING QTY: 300 PCS/BAG

SPECIFICATION :

FOR REFERENCE ONLY

04	21/8/09	④ 18.3 CHANGE TO 17.8
REV.	DATE	AMENDMENT

REVISION:	04
SHEET OF :	1 / 1

DIMENSIONS : MM	DWN: KS YEW
TOLERANCE UNLESS OTHERWISE SPECIFIED:	CHK: C.Y. CHUANG
X.XXX +/- 0.05	APVD: Y.L. CHUANG
X.XX +/- 0.10	SCALE : FREE
X.X +/- 0.20	DRAWING NO:
X +/- 0.50	A1443
EFFECTIVE DATE :	
21/8/09	

NATURAL	POLY PROPLENE	FH060A
NATURAL	NYLON PA66(V2)	FH060N
COLOR	MATERIAL	PART NUMBER

EPI Terminals & Connectors
 Elamp Precision Industry(M) Sdn.Bhd.
 PART NAME:
 4 POSITION 096 HOUSING
 APPLICABLE (1) TERMINALS (2) HOUSING
 (1) 37060
 (2) -