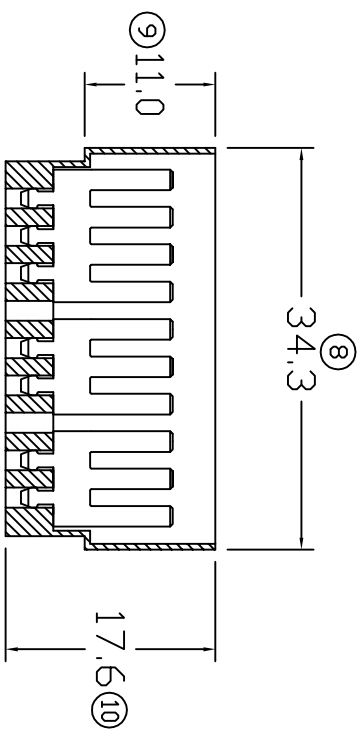
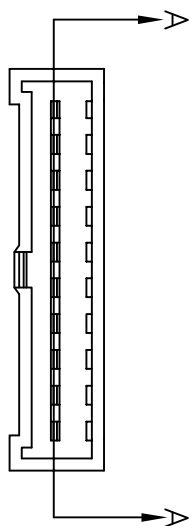
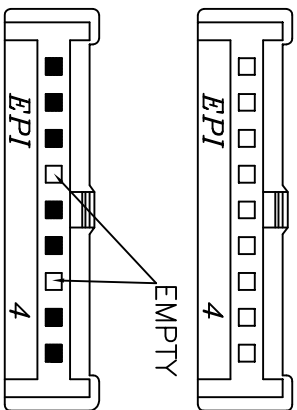
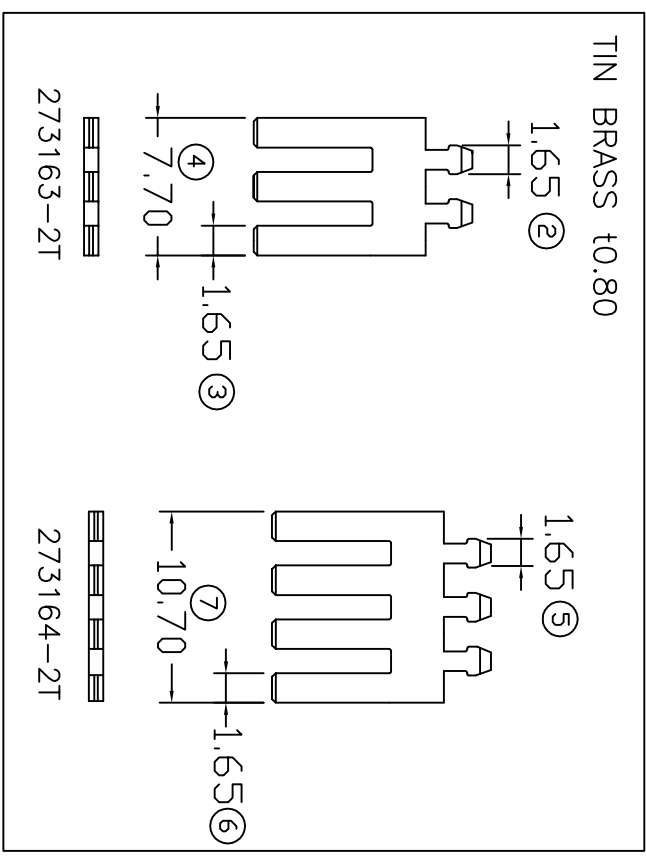
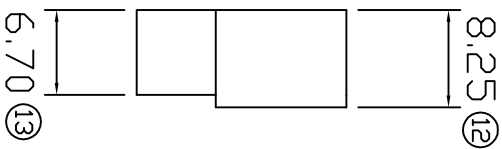


HOUSING SPECIFICATION DRAWING



SECTION A-A



FOR REFERENCE ONLY

1) PACKING QTY: 100 PCS/BAG

SPECIFICATION:

REVISION: 02		TOLERANCE UNLESS OTHERWISE SPECIFIED:	
X.XXX +/-0.05		X.XXX +/-0.10	
X.XX +/-0.20		X.X +/-0.50	
X		+/-0.50	
DIMENSIONS MM		EFFECTIVE DATE 12/9/07	
SHEET OF: 1 / 1		DRAWING NO: A1227	
BLUE	NYLON PA66(V2)	DOWN: KS YEW	PART NAME: EPI Terminals & Connectors
COLOR	MATERIAL	CHK: HY LIM	Elamp Precision Industry (M) Sdn.Bhd.
		APVD: Y. L CHUANG	PART NAME: 10 POSITION CONNECTOR
		SCALE: FREE	APPLICABLE (1) TERMINALS (2) HOUSING
		DRAWING NO: A1227	(1) 273163,273164
			(2) FV-JC-10F