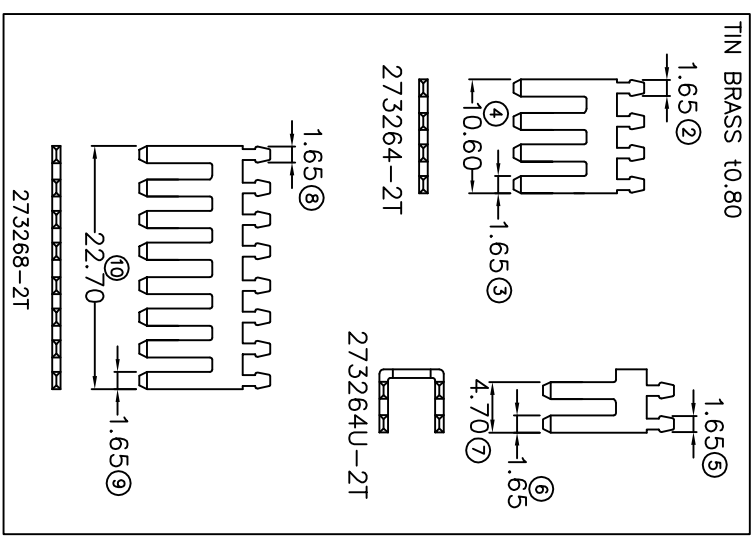
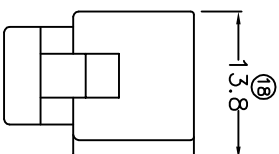
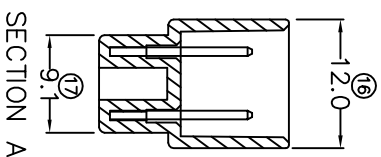
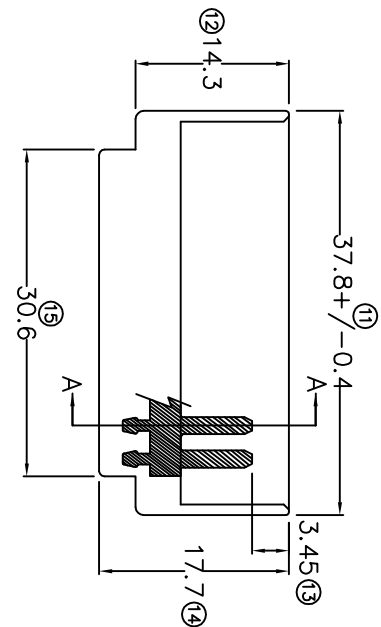
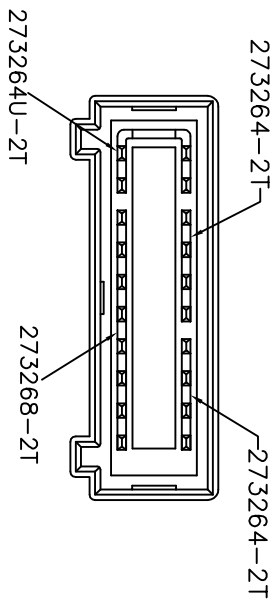
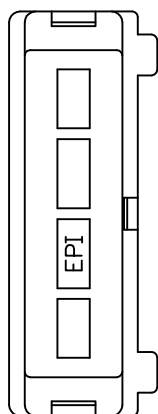


HOUSING SPECIFICATION DRAWING



FOR REFERENCE ONLY

1) PACKING QTY: 400 PCS/BAG

SPECIFICATION:

REVISION		TOLERANCE UNLESS OTHERWISE SPECIFIED:	
02	X.XXX +/-0.05 X.XX +/-0.10 X.X +/-0.20 X +/-0.50	DWN: KS YEW	
DIMENSIONS: MM		CHK: SC CHOO	
DRAWING NO: A1265		APVD: CHUANG	
EFFECTIVE DATE 30/8/07		SCALE: FREE	
SHEET OF: 1 / 1		DRAWING NO: A1265	
GREEN		NYLON PA66(V0)	
COLOR		FV-JC-20MT-GN	
MATERIAL		PART NUMBER	
<p>EPI Terminals & Connectors Eiamp Precision Industry (M) Sdn.Bhd.</p> <p>PART NAME: HOUSING WITH LOCK (LANCE TYPE)</p> <p>APPLICABLE (1) TERMINALS (2) HOUSING (1) 273264-2T, 273264U-2T, 273268-2T (2) FV-JC-20F</p>			