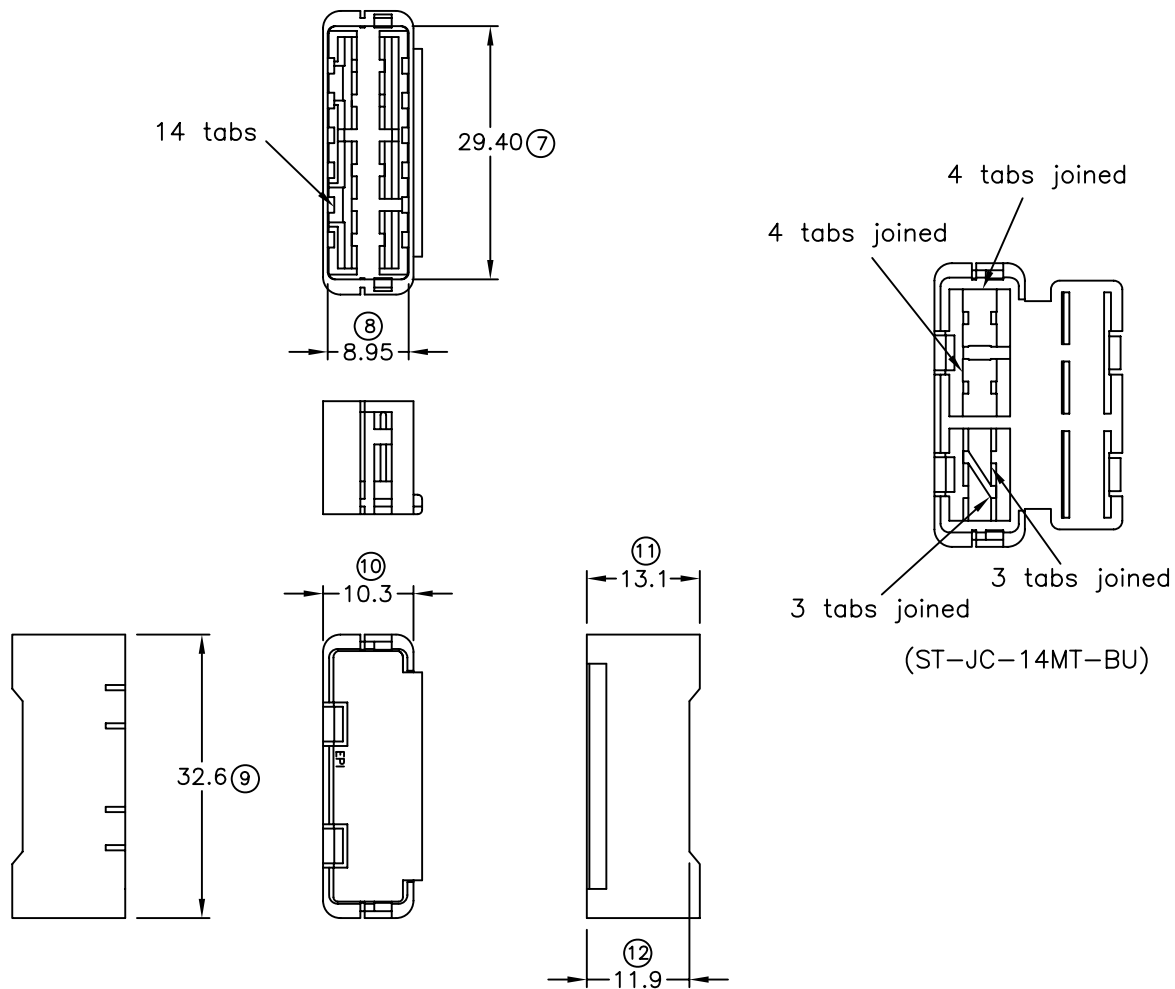


HOUSING SPECIFICATION DRAWING

UNCONTROLLED COPY



② 0.63 ⑤ 4.0
 ③ 10.10 ← PITCH
 ⑥ 2.16

MATERIAL: BRASS TREATMENT: TIN PLATED

(ST-JC-14MT-BU)

FOR REFERENCE ONLY

1) PACKING QTY: 100 PCS/BAG

SPECIFICATION :

REVISION: 02	
SHEET OF : 1 / 1	

DIMENSIONS : MM
TOLERANCE UNLESS OTHERWISE SPECIFIED:
X.XXX +/-0.05
X.XX +/-0.10
X.X +/-0.20
X +/-0.50
EFFECTIVE DATE : 4/9/07

BLUE	POLY PROPYLENE	ST-JC-14MT-BU
COLOR	MATERIAL	PART NUMBER
DWN: KS YEW	EPI Terminals & Connectors Elamp Precision Industry(M) Sdn.Bhd.	
CHK: HY LIM	PART NAME: 14 POSITION 090 CONNECTOR	
APVD: CHUANG	APPLICABLE (1) TERMINALS (2) HOUSING	
SCALE : FREE	(1) 17090S/M/H (STDCRF)	
DRAWING NO: A1264-(1)	(2) ST-JC-14F	