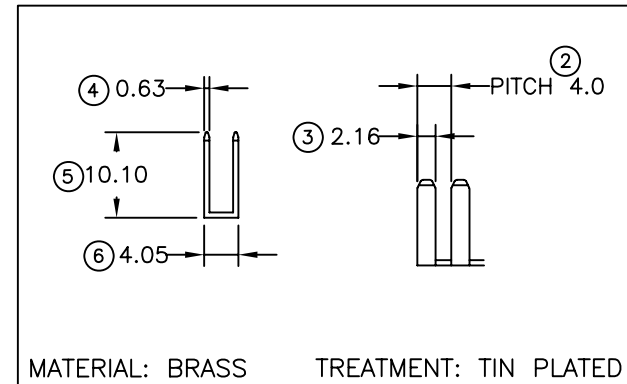
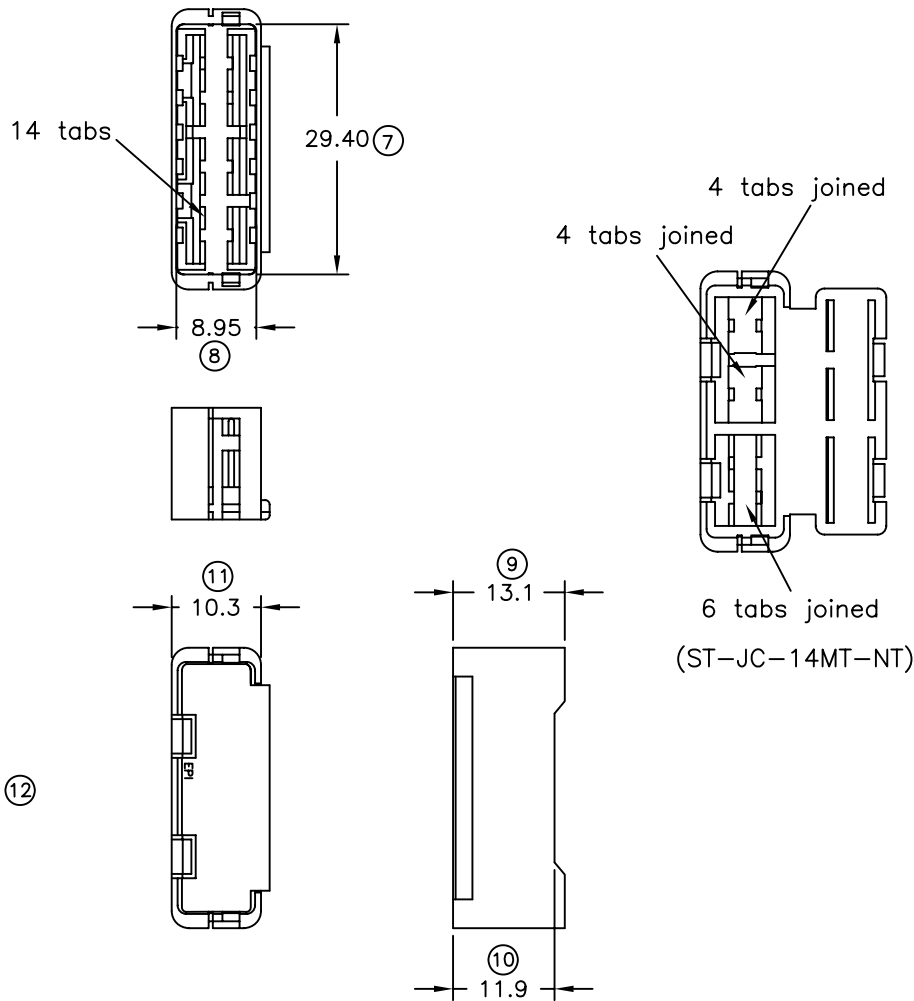


# HOUSING SPECIFICATION DRAWING

UNCONTROLLED COPY



**FOR REFERENCE ONLY**

1) PACKING QTY: 100 PCS/BAG

SPECIFICATION :

REVISION: 02	
SHEET OF : 1 / 1	

DIMENSIONS : MM
TOLERANCE UNLESS OTHERWISE SPECIFIED:
X.XXX $\pm 0.05$
X.XX $\pm 0.10$
X.X $\pm 0.20$
X $\pm 0.50$
EFFECTIVE DATE : 20/8/07

	NATURAL	POLY PROPYLENE	ST-JC-14MT-NT
	COLOR	MATERIAL	PART NUMBER
DWN: KS YEW	Terminals & Connectors Elamp Precision Industry(M) Sdn.Bhd.		
CHK: HY LIM	PART NAME:		
APVD: CHUANG	14 POSITION 090 CONNECTOR		
SCALE : FREE	APPLICABLE (1) TERMINALS (2) HOUSING		
DRAWING NO:	(1) 17090S/M/H (STDCRF)		
A1266--(1)	(2) ST-JC-14F		