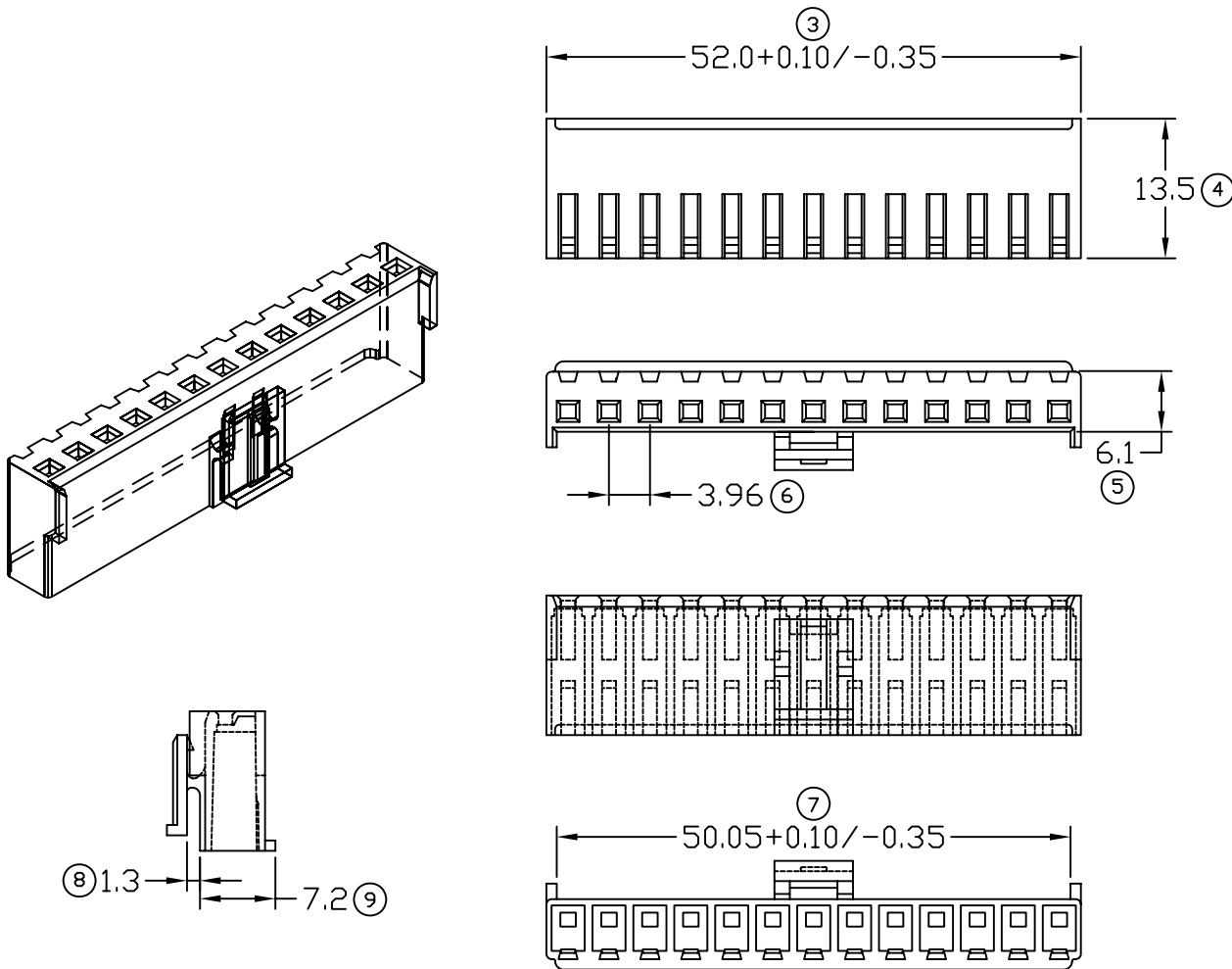


HOUSING SPECIFICATION DRAWING



FOR REFERENCE ONLY

- 2) 13-WAYS FEMALE HOUSING
- 1) PACKING QTY: 500 PCS/BAG

SPECIFICATION :

	BLUE	NYLON66 (VO)	VH396H13-BU
	NATURAL	NYLON66 (VO)	VH396H13
	COLOR	MATERIAL	PART NUMBER
	DWN: KS YEW	EPI Terminals & Connectors Elamp Precision Industry(M) Sdn.Bhd.	
	CHK: SC CHOO	PART NAME: BOARD-TO-WIRE CRIMP STYLE DISCONNECTABLE	
	APVD: CHUANG	APPLICABLE (1) TERMINALS (2) HOUSING	
	SCALE : FREE	(1) VH396-2T	
	DRAWING NO:	(2) VH396W13 , VH396W13R	
	A1360-(1)		
DIMENSIONS : MM			
TOLERANCE UNLESS OTHERWISE SPECIFIED:			
X.XXX +/-0.05			
X.XX +/-0.10			
X.X +/-0.20			
X +/-0.50			
REVISION: 00			
SHEET OF : 1 / 1	EFFECTIVE DATE : 18/7/07		