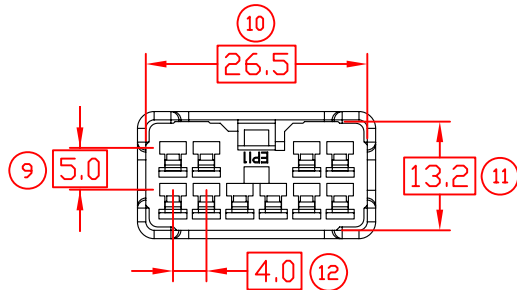
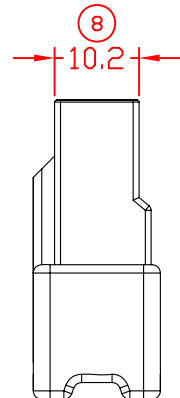
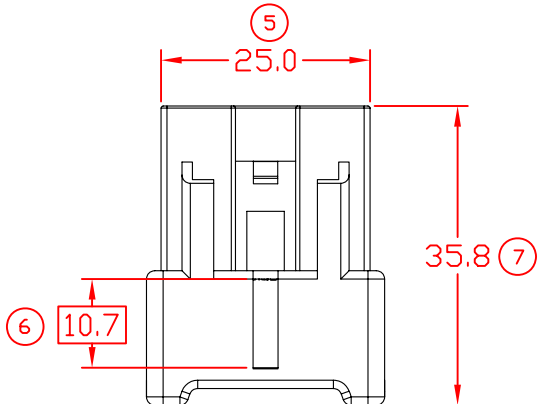
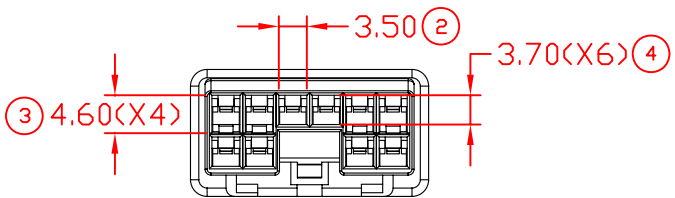
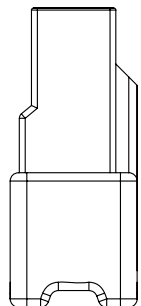
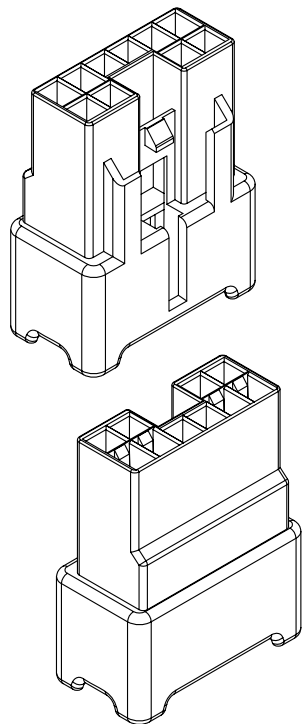


HOUSING SPECIFICATION DRAWING

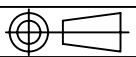
UNCONTROLLED COPY




MATCHING DIMENSION
 1) PACKING QTY: 100 PCS/BAG
 SPECIFICATION :

FOR REFERENCE ONLY

00	11/10/10	NEW RELEASE
TEMP	12/8/09	FOR CUSTOMER APPROVAL PURPOSE.
REV.	DATE	AMENDMENT

REVISION:
 00

 SHEET OF :
 1 / 1

DIMENSIONS : MM
 TOLERANCE UNLESS OTHERWISE SPECIFIED:
 X.XXX +/-0.05
 X.XX +/-0.10
 X.X +/-0.20
 X +/-0.50
 EFFECTIVE DATE :
 11/10/10

-	-	-
NATURAL	PBT	YTL-10ASL
COLOR	MATERIAL	PART NUMBER
PREPARE BY: KS YEOW	 Terminals & Connectors Elamp Precision Industry(M) Sdn.Bhd.	
REVIEWED BY: KP YEOH	PART NAME: 090 SERIES HOUSING	
APPROVED BY: CY CHUANG	APPLICABLE (1) TERMINALS (2) HOUSING	
SCALE : FREE	(1) 27090	
DRAWING NO: A1576	(2) YTL-10BSL	