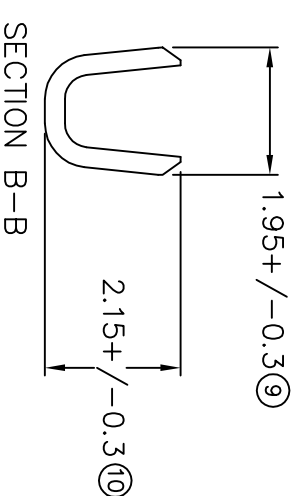
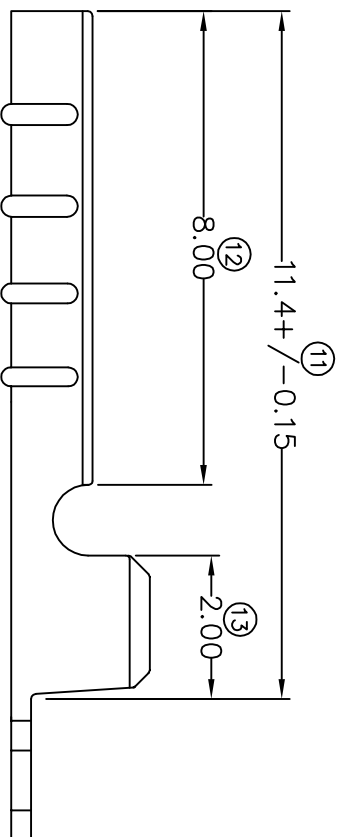
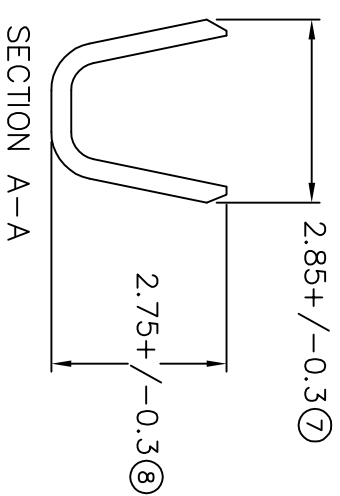
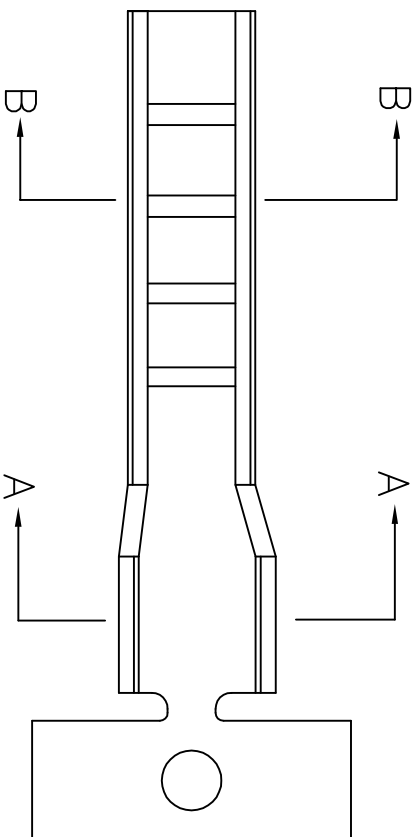


TERMINALS SPECIFICATION DRAWING



FOR REFERENCE ONLY

- 6) CRIMPING WIRE TENSILE FORCE IS BASE ON COPPER BREAK OFF INTENSITY.
- 5) TEMPERATURE RANGE -40°C TD +120°C.
- 4) VOLTAGE-MAX [VOLT]S PER WIRE SPECIFICATION.
- 3) PACKING QTY : 12000 PCS/REEL.
- 2) WIRE INSULATION (O.D) : 1.6MM.
- 1) APPLICABLE WIRE RANGE : 0.36-0.16MM².

SPECIFICATION :

MATERIAL: t0.25 BRASS C2680	DIMENSIONS : MM	DWN: KS YEW	TREATMENT SELECTIVE
TOLERANCE UNLESS OTHERWISE SPECIFIED: X.XXX +/-0.05 X.XX +/-0.10 X.X +/-0.20 X +/-0.50	CHK: HY LIM	APVD: CHUANG	PART NUMBER 12115-1
REVISION: 02	SCALE : FREE	DRAWING NO:	PART NAME: EPI Terminals & Connectors Elamp Precision Industry(M) Sdn.Bhd.
	SHEET OF : 1 / 1	EFFECTIVE DATE : 7/9/07	APPLICABLE (1) TERMINALS (2) HOUSING (1) - (2) -