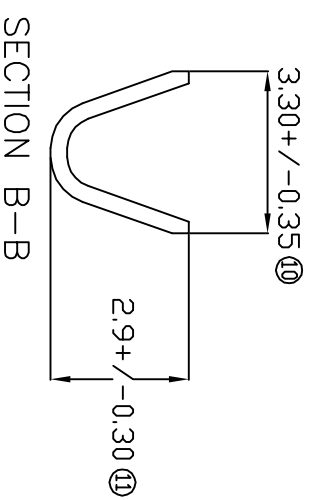
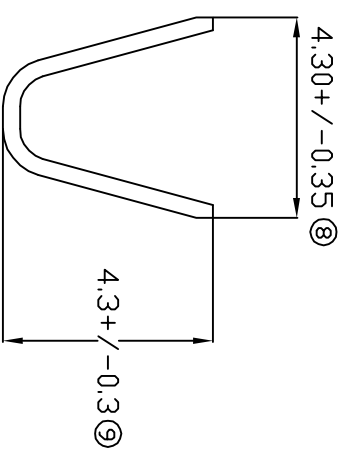
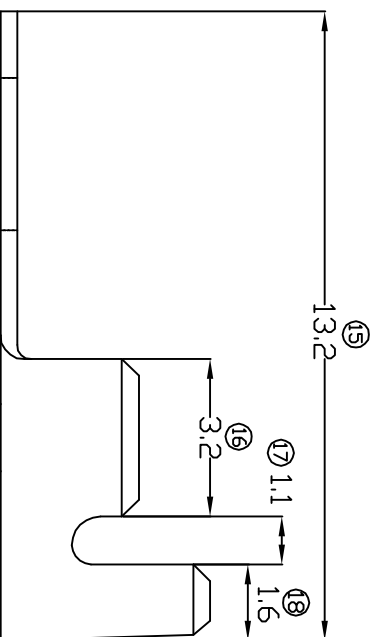
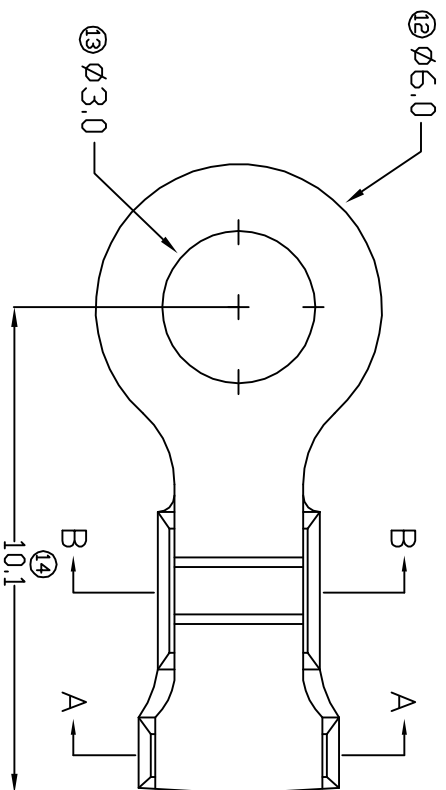


TERMINALS SPECIFICATION DRAWING



FOR REFERENCE ONLY

- 7) CRIMPING WIRE TENSILE FORCE IS BASE ON COPPER BREAK OFF INTENSITY.
- 6) TEMPERATURE RANGE -40°C TO +120°C.
- 5) VOLTAGE-MAX [VOLTS] PER WIRE SPECIFICATION.
- 4) THICKNESS PLATING MORE THAN 40µ INCH.
- 3) PACKING QTY : 10000 PCS/REEL.
- 2) WIRE INSULATION (O.D.) : 2.5MM.
- 1) APPLICABLE WIRE RANGE : 1.13-0.58MM².

SPECIFICATION :

MATERIAL: t0.40 BRASS C2680		TIN PLATING NONE		140630A-2 140630A-1
DIMENSIONS : MM TOLERANCE UNLESS OTHERWISE SPECIFIED: X.XXX +/-0.05 X.XX +/-0.10 X.X +/-0.20 X +/-0.50		DWN: KS YEW CHK: SC CHOO APVD: CHUANG SCALE : FREE DRAWING NO:		PART NUMBER PRT NAME: RING TONGUE TERMINALS APPLICABLE (1) TERMINALS (2) HOUSING
EFFECTIVE DATE : 29/5/07		A1291		(1) - (2) -
REVISION: 05		SHEET OF : 1 / 1		