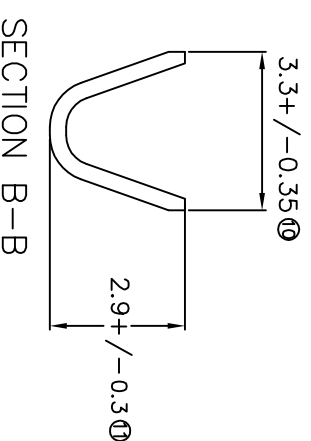
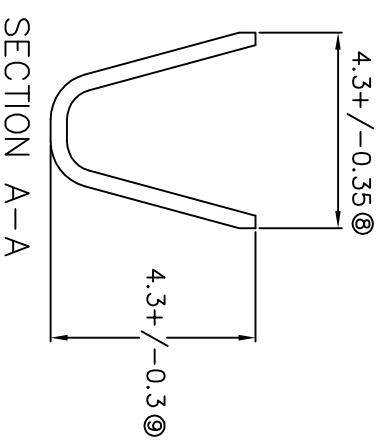
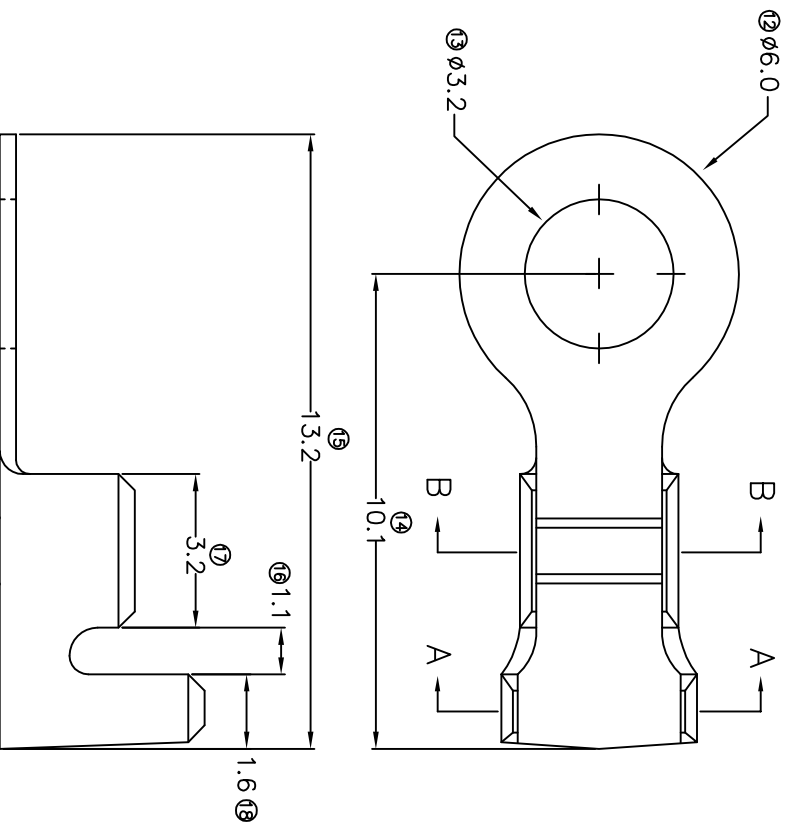


TERMINALS SPECIFICATION DRAWING



FOR REFERENCE ONLY

- 7) CRIMPING WIRE TENSILE FORCE IS BASE ON COPPER BREAK OFF INTENSITY.
- 6) TEMPERATURE RANGE -40°C TD +120°C.
- 5) VOLTAGE-MAX [VOLT] PER WIRE SPECIFICATION.
- 4) THICKNESS PLATING MORE THAN 40μ INCH.
- 3) PACKING QTY : 10000 PCS/REEL.
- 2) WIRE INSULATION (O.D) : 2.6MM.
- 1) APPLICABLE WIRE RANGE : 0.84-0.37MM².

SPECIFICATION :

MATERIAL:		TIN PLATING	
t0.35 BRASS		NONE	
C2680		PART NUMBER	
DIMENSIONS : MM		DWN: KS YEW	
TOLERANCE UNLESS OTHERWISE SPECIFIED:		CHK: SC CHOO	
X.XXX +/-0.05		APVD: CHUANG	
X.XX +/-0.10		SCALE : FREE	
X.X +/-0.20		DRAWING NO:	
X +/-0.50		A1263	
EFFECTIVE DATE :		PART NAME:	
4/5/07		Elamp Precision Industry(M) Sdn.Bhd.	
SHEET OF :		RING TONGUE TERMINALS	
1 / 1		APPLICABLE (1) TERMINALS (2) HOUSING	
REVISION:		(1) -	
05		(2) -	