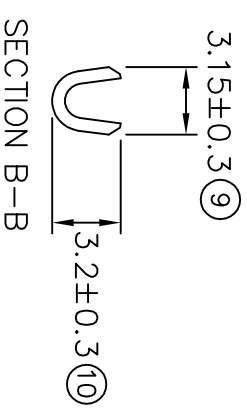
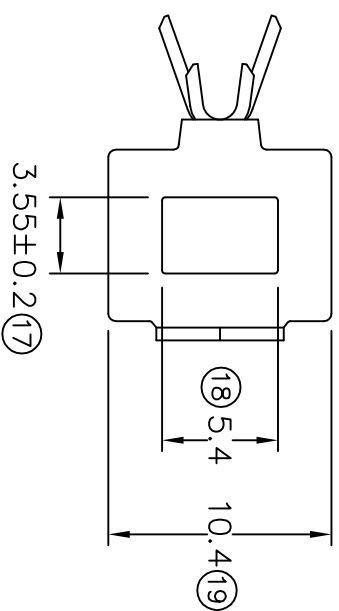
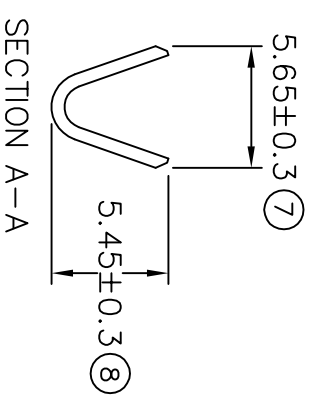
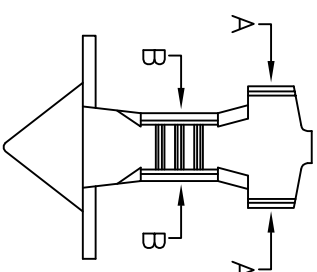
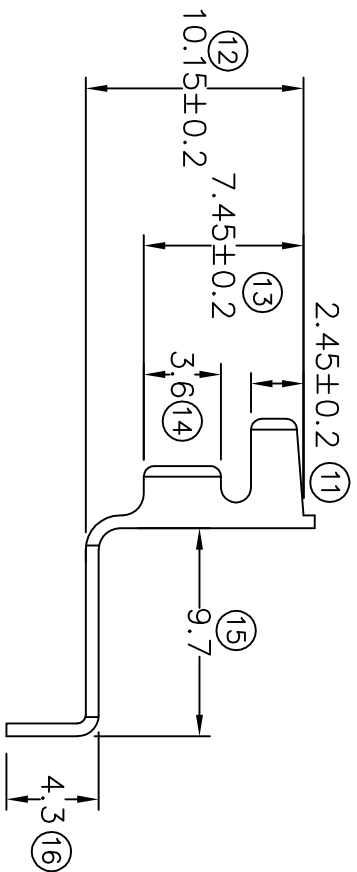


TERMINALS SPECIFICATION DRAWING



FOR REFERENCE ONLY

- 6) CRIMPING WIRE TENSILE FORCE IS BASE ON COPPER BREAK OFF INTENSITY.
- 5) TEMPERATURE RANGE -40°C TO +120°C.
- 4) VOLTAGE-MAX [VOLTS] PER WIRE SPECIFICATION.
- 3) PACKING QTY : 1000 PCS/BAG.
- 2) WIRE INSULATION (O.D) : 2.8MM.
- 1) APPLICABLE WIRE RANGE : 0.91-0.47MM²

SPECIFICATION :

MATERIAL: t0.60 BRASS C2680		NONE		141035-1	
DIMENSIONS : MM		TREATMENT SELECTIVE		PART NUMBER	
TOLERANCE UNLESS OTHERWISE SPECIFIED:		DWN: KS YEW		EPI Terminals & Connectors Eiamp Precision Industry(M) Sdn.Bhd.	
X.XXX +/-0.05 X.XX +/-0.10 X.X +/-0.20 X +/-0.50		CHK: HY LIM			
REVISION: 00		APVD: CHUANG		PART NAME: RING TONGUE TERMINALS	
SHEET OF : 1 / 1		SCALE : FREE DRAWING NO:		APPLICABLE (1) TERMINALS (2) HOUSING	
EFFECTIVE DATE : 10/9/07		A1501		(1) - (2) -	