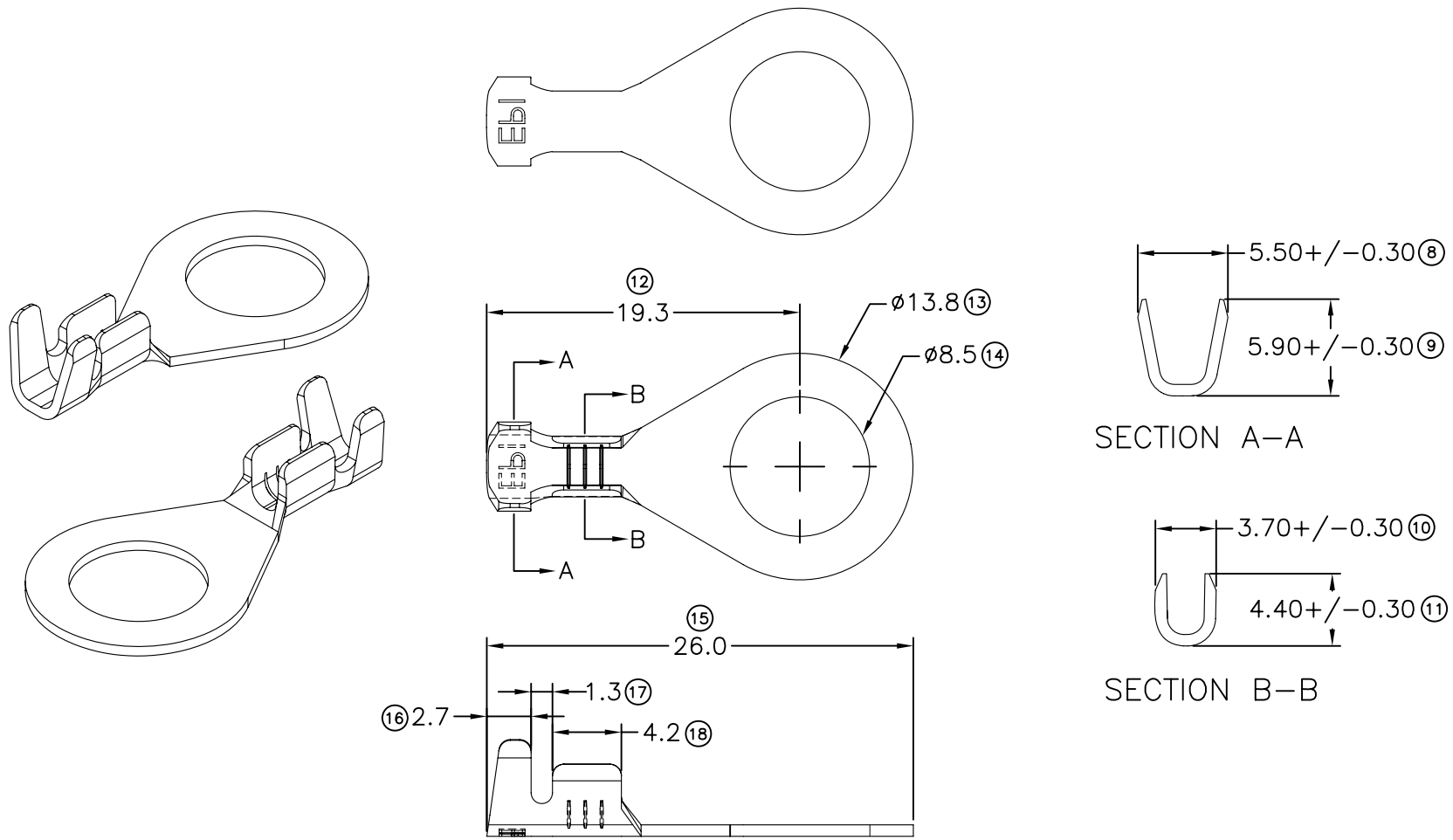


TERMINALS SPECIFICATION DRAWING

UNCONTROLLED COPY



- 7) CRIMPING WIRE TENSILE FORCE IS BASE ON COPPER BREAK OFF INTENSITY.
- 6) TEMPERATURE RANGE -40°C TO $+120^{\circ}\text{C}$.
- 5) VOLTAGE-MAX [VOLTS] PER WIRE SPECIFICATION.
- 4) THICKNESS PLATING MORE THAN 40μ INCH.
- 3) PACKING QTY : 2500 PCS/REEL.
- 2) WIRE INSULATION (O.D) : 3.3MM.
- 1) APPLICABLE WIRE RANGE : 2.14-1.09MM².

SPECIFICATION :

FOR REFERENCE ONLY

MATERIAL: t0.70 BRASS C2680	TIN PLATING		141385-2
	NONE		141385-1
	TREATMENT SELECTIVE		PART NUMBER
DIMENSIONS : MM TOLERANCE UNLESS OTHERWISE SPECIFIED: X.XXX ± 0.05 X.XX ± 0.10 X.X ± 0.20 X ± 0.50	DWN: KS YEW CHK: C.Y CHUANG APVD: Y.L CHUANG SCALE : FREE DRAWING NO: A1544	EPI Terminals & Connectors Elamp Precision Industry(M) Sdn.Bhd. PART NAME: RING TONGUE TERMINALS APPLICABLE (1) TERMINALS (2) HOUSING (1) - (2) -	
REVISION: 00 SHEET OF : 1 / 1		EFFECTIVE DATE : 25/6/09	

00	25/6/09	1ST ISSUE							
REV.	DATE	AMENDMENT							