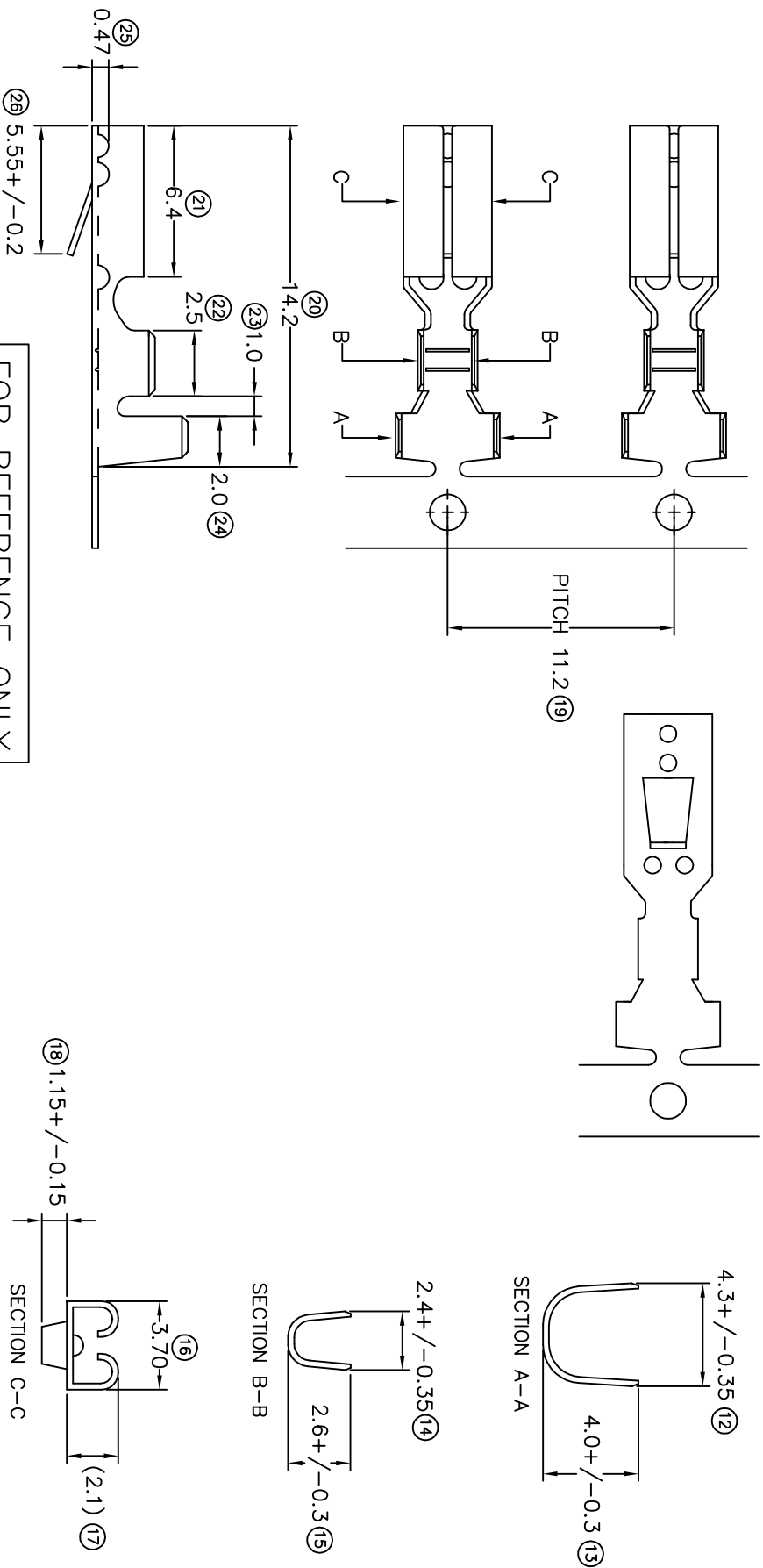


TERMINALS SPECIFICATION DRAWING



FOR REFERENCE ONLY

- 11) CRIMPING WIRE TENSILE FORCE IS BASE ON COPPER BREAK OFF INTENSITY.
- 10) TEMPERATURE RANGE -40°C TO +120°C.
- 9) VOLTAGE-MAX (VOLTS) PER WIRE SPECIFICATION.
- 8) (17) FOR REFERENCE ONLY.
- 7) MATCHING WITH TAB 10.8 X W2.8.
- 6) TENSILE FORCE : MIN 10KG (WITH EPI JIG).
- 5) INSERT FORCE : MAX 1.8KG (WITH EPI JIG).
- 4) THICKNESS PLATING MORE THAN 40µ INCH.
- 3) PACKING QTY : 4000 PCS/REEL.
- 2) WIRE INSULATION (O.D) : 2.3MM.
- 1) APPLICABLE WIRE RANGE : 0.54-0.24MM².

SPECIFICATION :

REVISION:		SHEET OF :	
03	1	1	1
MATERIAL:		EFFECTIVE DATE :	
TO.25 BRASS		12/7/07	
C2680		DRAWING NO:	
DIMENSIONS : MM		A1380	
TOLERANCE UNLESS OTHERWISE SPECIFIED:		PART NUMBER	
X.XXX +/-0.05		17112M-2T	
X.XX +/-0.10		TREATMENT SELECTIVE	
X.X +/-0.20		PART NAME:	
X +/-0.50		Elamp Precision Industry(M) Sdn.Bhd.	
DWN:KS YEW		PART NAME:	
CHK: SC CHOO		112 SERIES FEMALE TERMINALS	
APVD: CHUANG		APPLICABLE (1) TERMINALS (2) HOUSING	
SCALE : FREE		(1) TAB 10.8 X W2.8	
DRAWING NO:		(2) 110AF3	