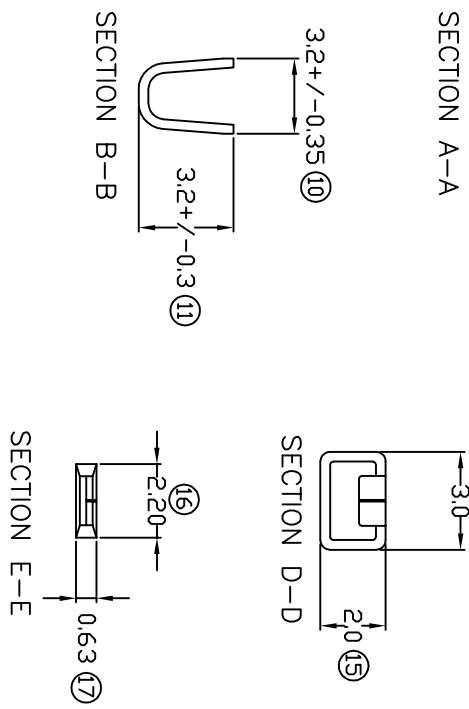
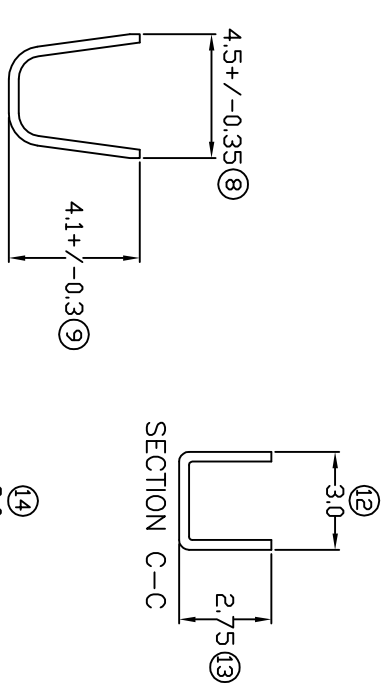
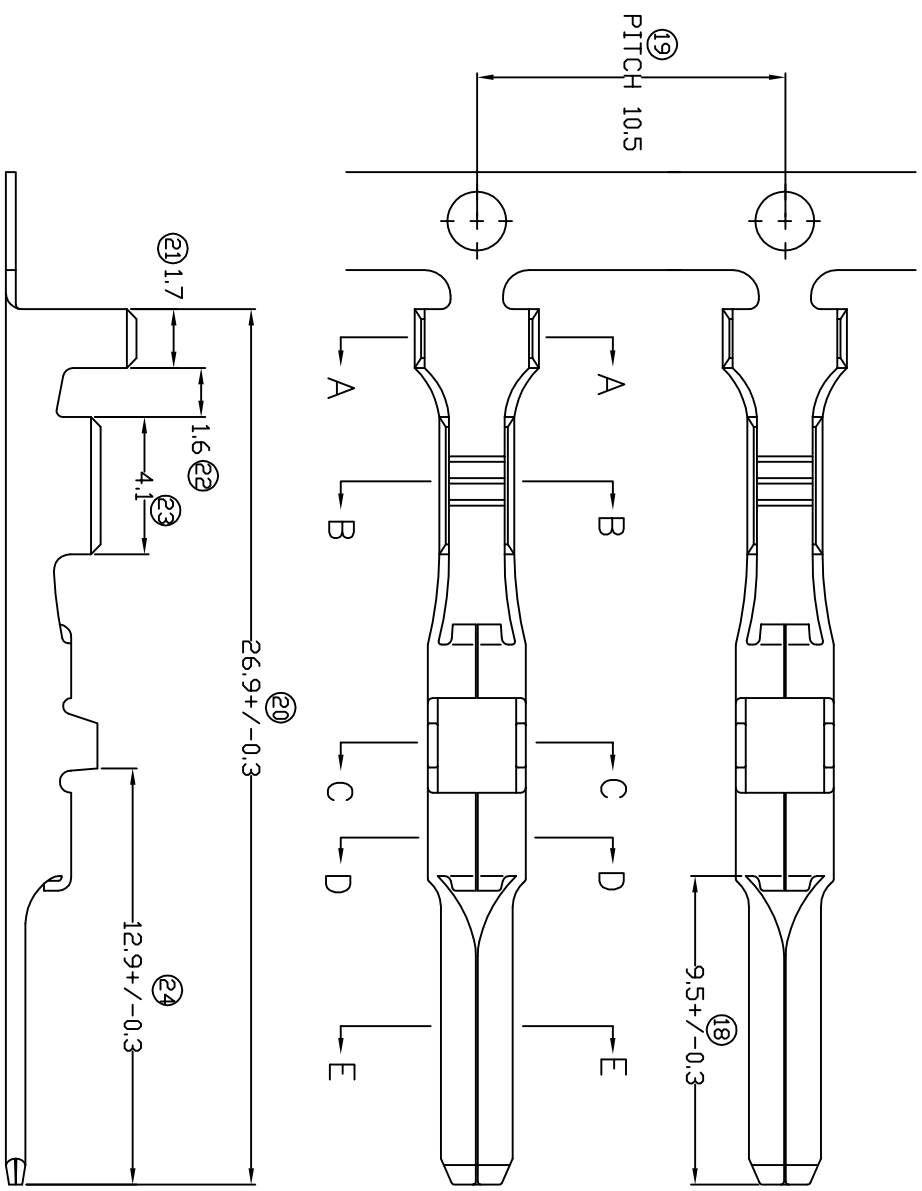


TERMINALS SPECIFICATION DRAWING



FOR REFERENCE ONLY

- 7) CRIMPING WIRE TENSILE FORCE IS BASE ON COPPER BREAK OFF INTENSITY.
- 6) TEMPERATURE RANGE -40°C TO +120°C.
- 5) VOLTAGE-MAX [VOLTS] PER WIRE SPECIFICATION.
- 4) THICKNESS PLATING MORE THAN 40µ INCH.
- 3) PACKING QTY : 5000 PCS/REEL.
- 2) WIRE INSULATION (O.D) : 2.4MM.
- 1) APPLICABLE WIRE RANGE : 0.95-0.42MM².

SPECIFICATION :

MATERIAL: t0.30 BRASS C2680	PRE-TIN PLATED 27090H-2T	TREATMENT SELECTIVE	PART NUMBER
DIMENSIONS : MM	DWN: KS YEW	CHK: SC CHOO	APVD: CHUANG
TOLERANCE UNLESS OTHERWISE SPECIFIED:	SCALE : FREE	DRAWING NO:	APPLICABLE (1) TERMINALS (2) HOUSING
X.XXX +/-0.05 X.XX +/-0.10 X.X +/-0.20 X +/-0.50	DWN: KS YEW	CHK: SC CHOO	APVD: CHUANG
REVISION: 04	SCALE : FREE	DRAWING NO:	APPLICABLE (1) TERMINALS (2) HOUSING
SHEET OF : 1 / 1	EFFECTIVE DATE : 1/11/07	A1302	(1) 17090 (2) 090 SERIES HOUSING

EPI Terminals & Connectors
 Elamp Precision Industry(M) Sdn.Bhd.