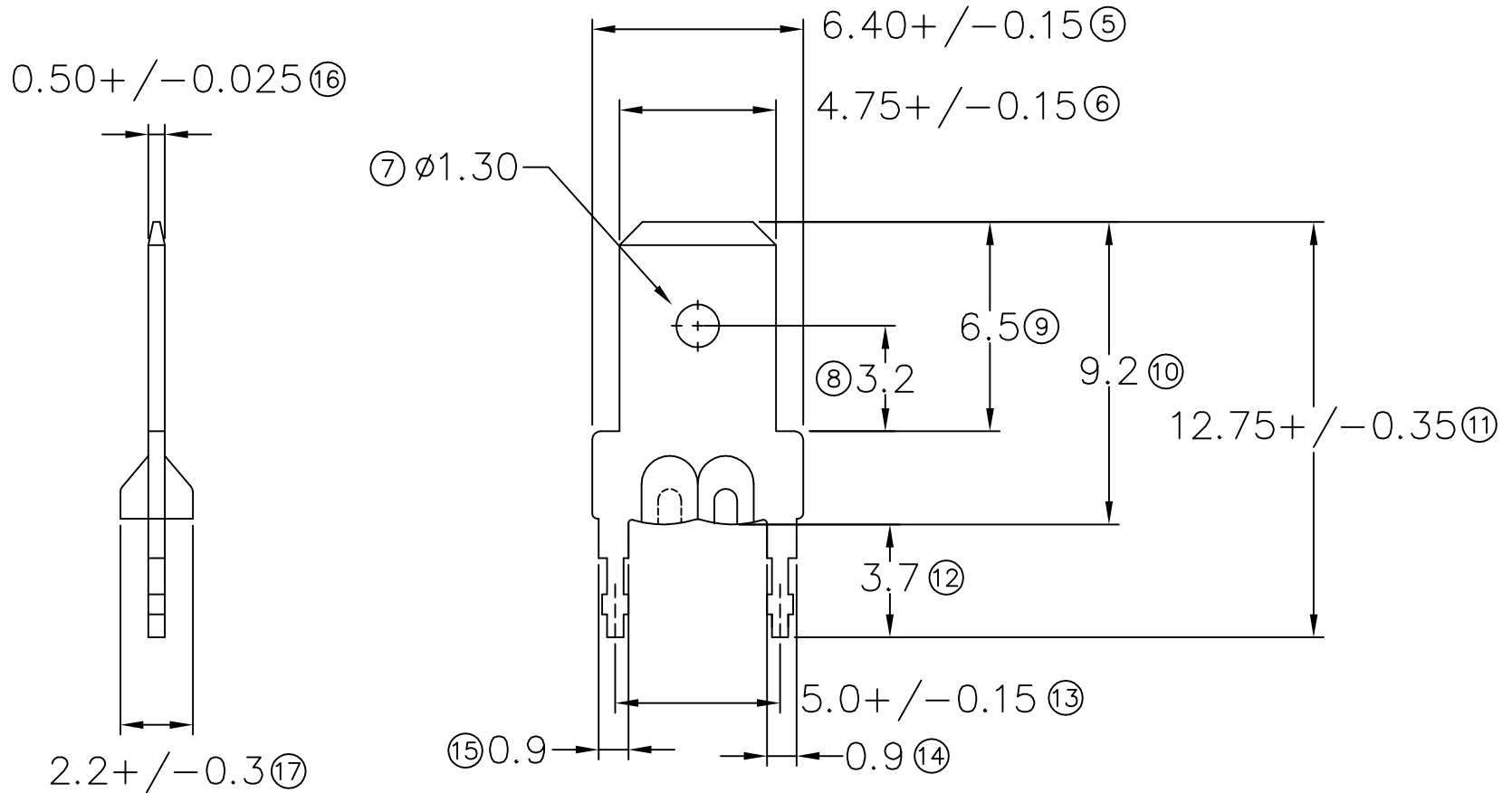



TERMINALS SPECIFICATION DRAWING



FOR REFERENCE ONLY

- 4) FOR PC BOARD ϕ 1.00MM THICKNESS 1.60MM.
- 3) TEMPERATURE RANGE -40°C TO $+120^{\circ}\text{C}$.
- 2) THICKNESS PLATING MORE THAN 40μ INCH.
- 1) PACKING QTY : 2000 PCS/REEL.

SPECIFICATION :

MATERIAL: t0.50 BRASS C2680		
	TIN PLATING	275049A-2
	TREATMENT SELECTIVE	PART NUMBER
DIMENSIONS : MM TOLERANCE UNLESS OTHERWISE SPECIFIED: X.XXX +/-0.05 X.XX +/-0.10 X.X +/-0.20 X +/-0.50	DWN: KS YEOW CHK: SC CHOO Y,L APVD: CHUANG SCALE : FREE DRAWING NO: A1413	EPI Terminals & Connectors Elamp Precision Industry(M) Sdn.Bhd. PART NAME: 187 SERIES TAB TERMINALS APPLICABLE (1) TERMINALS (2) HOUSING (1) 187,205 TYPE SERIES TERMINALS (2) -
REVISION: 04  SHEET OF : 1 / 1	EFFECTIVE DATE : 25/7/07	