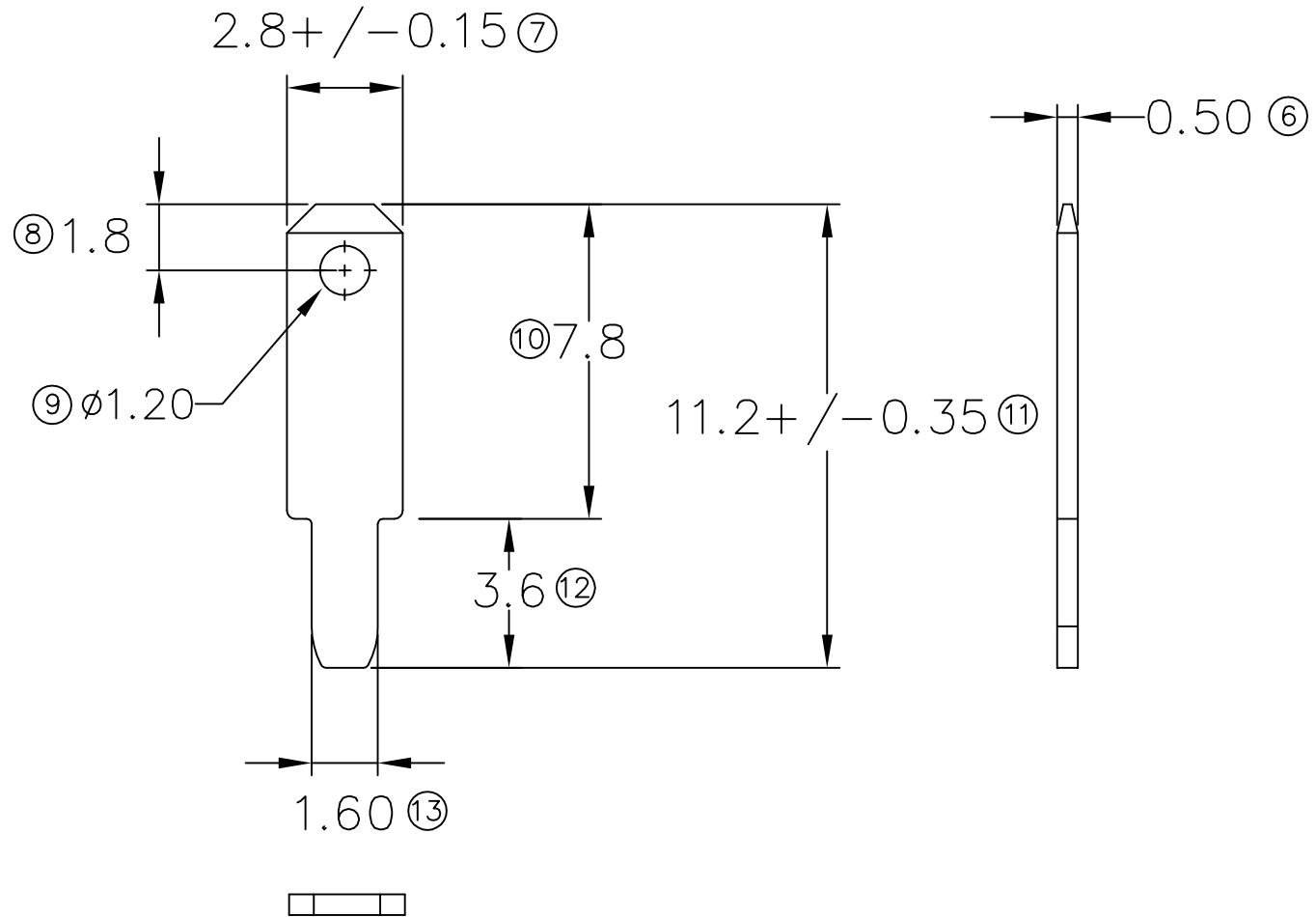


TERMINALS SPECIFICATION DRAWING



FOR REFERENCE ONLY

- 5) FOR PC BOARD $\phi 1.50\text{MM}$ THICKNESS 1.60MM .
- 4) TEMPERATURE RANGE -40°C TO $+120^{\circ}\text{C}$.
- 3) VOLTAGE-MAX [VOLTS] PER WIRE SPECIFICATION.
- 2) THICKNESS PLATING MORE THAN 40μ INCH.
- 1) PACKING QTY : 2000 PCS/REEL.

SPECIFICATION :

REVISION:
03



SHEET OF :
1 / 1

MATERIAL: t0.50 BRASS C2680	TIN PLATING	275128A-2
	TREATMENT SELECTIVE	PART NUMBER
DIMENSIONS : MM	DWN: KS YEOW	Epi Terminals & Connectors Elamp Precision Industry(M) Sdn.Bhd.
TOLERANCE UNLESS OTHERWISE SPECIFIED: X.XXX ± 0.05 X.XX ± 0.10 X.X ± 0.20 X ± 0.50	CHK: SC CHOO Y.L APVD: CHUANG	
	SCALE : FREE	PART NAME: 110 SERIES TAB TERMINALS
	DRAWING NO: A1426	APPLICABLE (1) TERMINALS (2) HOUSING (1) 110 FEMALE TAB (0.5) (2) -
	EFFECTIVE DATE : 24/7/07	