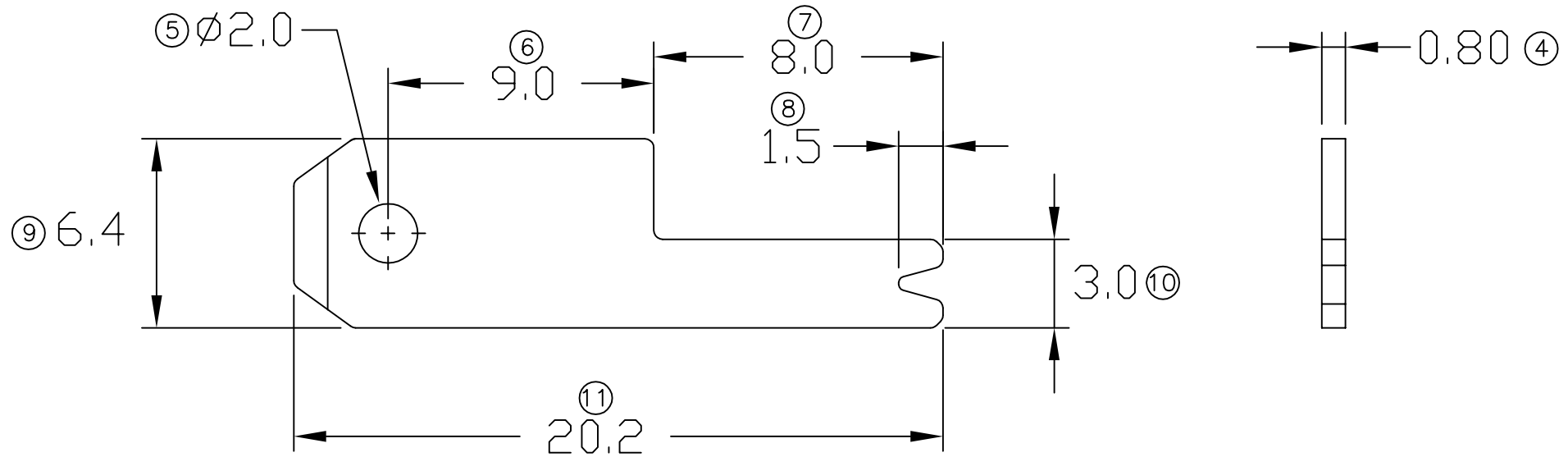


# TERMINALS SPECIFICATION DRAWING



FOR REFERENCE ONLY

- 3) TEMPERATURE RANGE -40°C TO +120°C.
- 2) THICKNESS PLATING MORE THAN 40μ INCH.
- 1) PACKING QTY : 2000 PCS/REEL.

SPECIFICATION :

REVISION:  
01



SHEET OF :  
1 / 1

MATERIAL: t0.80 BRASS C2680	NONE		278634-1
	TREATMENT SELECTIVE		PART NUMBER
	DIMENSIONS : MM		
TOLERANCE UNLESS OTHERWISE SPECIFIED: X.XXX +/-0.05 X.XX +/-0.10 X.X +/-0.20 X +/-0.50	DWN: KS YEWE	<b>EPI</b> Terminals & Connectors Elamp Precision Industry(M) Sdn.Bhd.	
	CHK: SC CHOO		
	APVD: CHUANG	PART NAME: 250 TYPE TERMINALS	
	SCALE : FREE	APPLICABLE (1) TERMINALS (2) HOUSING	
EFFECTIVE DATE : 24/7/07	DRAWING NO: A1450	(1) - (2) -	