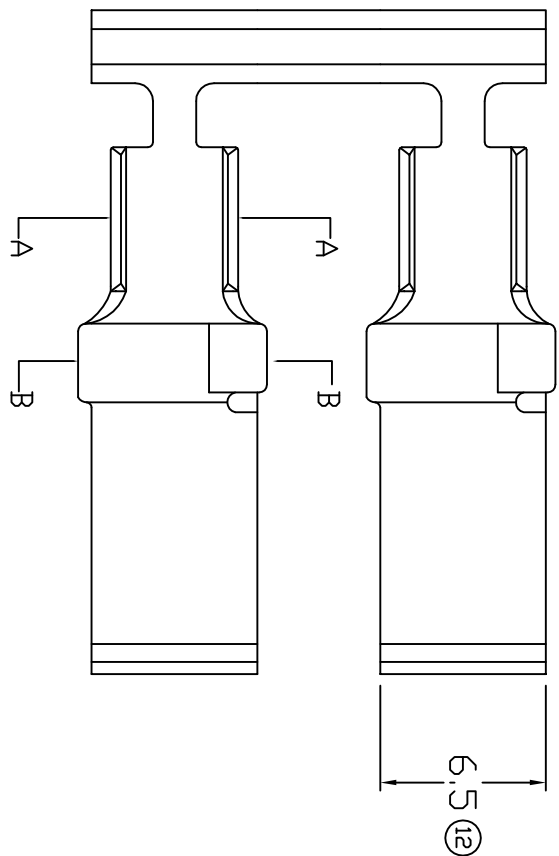
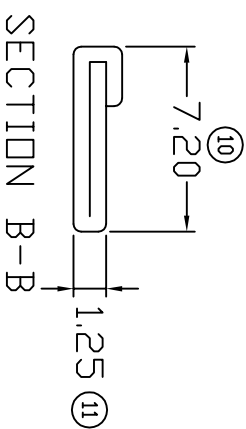


TERMINALS SPECIFICATION DRAWING



SECTION A-A



FOR REFERENCE ONLY

- 7) CRIMPING WIRE TENSILE FORCE IS BASE ON COPPER BREAK OFF INTENSITY.
- 6) TEMPERATURE RANGE -40°C TO +120°C.
- 5) VOLTAGE-MAX [VOLTS] PER WIRE SPECIFICATION.
- 4) (17) FOR REFERENCE ONLY.
- 3) PACKING QTY : 3000 PCS/REEL.
- 2) WIRE INSULATION (O.D) : - MM.
- 1) APPLICABLE WIRE RANGE : 2.13-1.09MM².

SPECIFICATION :

REVISION: 00	MATERIAL: t0.60 BRASS C2680	TREATMENT NONE	PART NUMBER 98751-1
REVISION: 00	DIMENSIONS : MM	DWN: KS YE'W	PART NAME: Eiamp Precision Industry(M) Sdn.Bhd.
REVISION: 00	TOLERANCE UNLESS OTHERWISE SPECIFIED:	CHK: HY LIM	TERMINALS & Connectors
REVISION: 00	X.XXX + / - 0.05	APVD: CHUANG	ELECTRICAL PLUG TERMINALS
REVISION: 00	X.XX + / - 0.10	SCALE : FREE	APPLICABLE (1) TERMINALS (2) HOUSING
REVISION: 00	X.X + / - 0.20	DRAWING NO:	(1) -
REVISION: 00	X + / - 0.50	EFFECTIVE DATE : 19/9/07	(2) -
SHEET OF : 1 / 1		A1510	