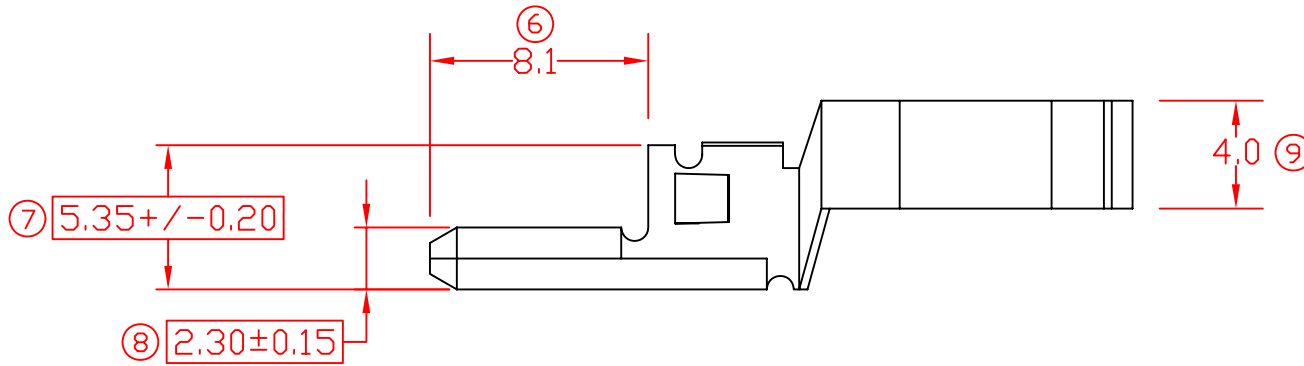
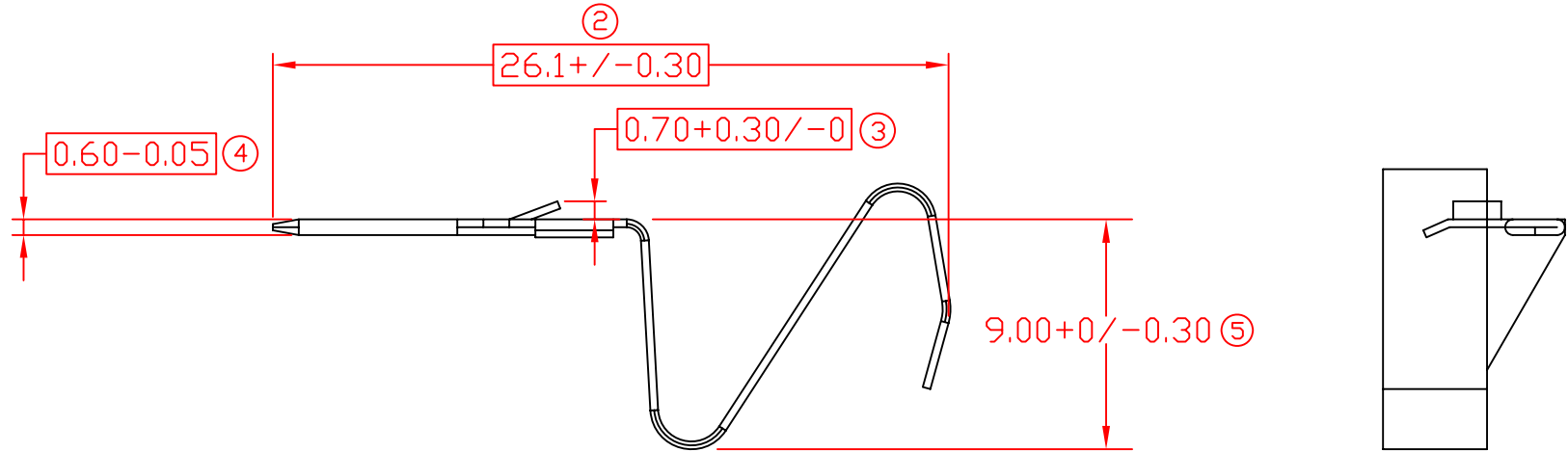


# TERMINALS SPECIFICATION DRAWING



MATCHING DIMENSION  
 1) PACKING QTY : 2000 PCS/BAG.

SPECIFICATION :

**FOR REFERENCE ONLY**

MATERIAL: t0.30 PHOSPHOR BRONZE C5191	-	-
	NONE	AL6002PB-1
	TREATMENT SELECTIVE	PART NUMBER
DIMENSIONS : MM	PREPARE BY: KS YEOW	<b>Terminals &amp; Connectors</b> Elamp Precision Industry(M) Sdn.Bhd.
TOLERANCE UNLESS OTHERWISE SPECIFIED:	REVIEWED BY: CH ANG	
X.XXX +/-0.05 X.XX +/-0.10 X.X +/-0.20 X +/-0.50	APPROVED BY: CY CHUANG	PART NAME: SPRING CONTACTS TERMINALS
	SCALE : FREE	APPLICABLE (1) TERMINALS (2) HOUSING
	DRAWING NO: A1401	(1) - (2) AL6002BK-C

			REVISION: 05
05	31/5/11	PACKING QTY: FR 500 CHANGE TO 2000 & ADD MATCHING DIMENSION, FR ③ 0.7 CHANGE TO 0.70+0.30/-0, FR ⑤ 9.0 TO 9.00+0/-0.30, FR ⑥ 8.1±0.30 TO 8.1, FR ⑧ 2.30 TO 2.30±0.15	
REV.	DATE	AMENDMENT	SHEET OF : 1 / 1

EFFECTIVE DATE :  
31/5/11