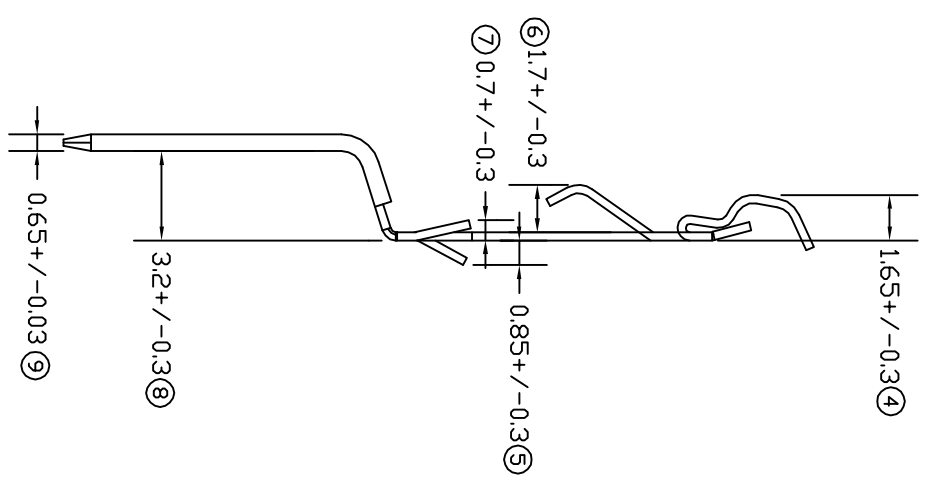
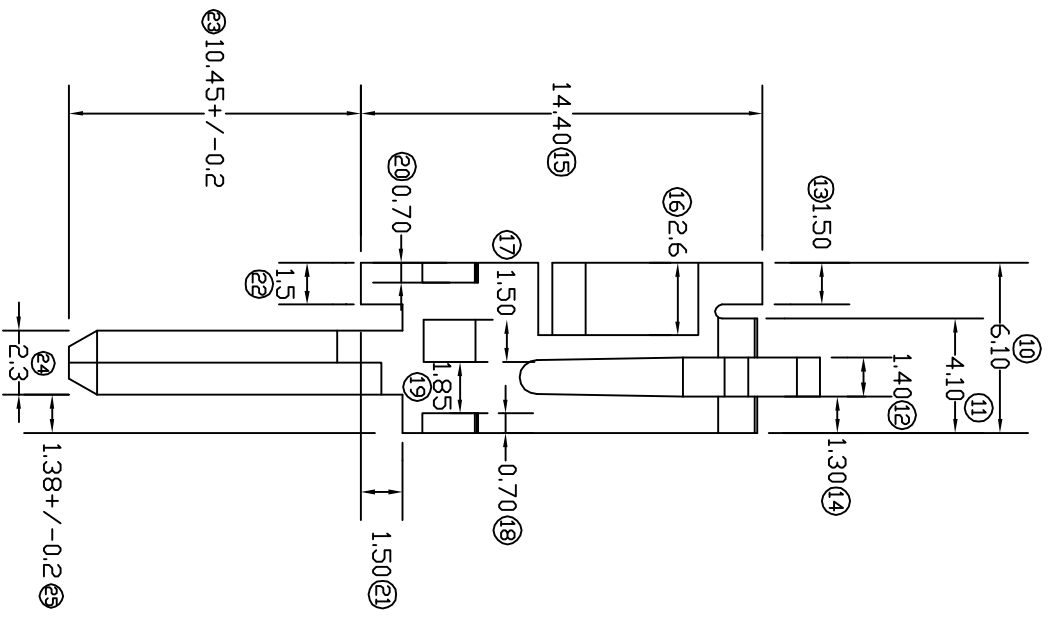


TERMINALS SPECIFICATION DRAWING

UNCONTROLLED COPY



- 3) TEMPERATURE RANGE -40°C TO +120°C.
 2) VOLTAGE-MAX [VOLTS] PER WIRE SPECIFICATION.
 1) PACKING QTY : 1000 PCS/BAG.

SPECIFICATION :

FOR REFERENCE ONLY

REVISION:
02



SHEET OF :
1 / 1

REV.	DATE	CHANGE MATERIAL FROM BRASS TO PHOSPHOR BRONZE
		AMENDMENT

MATERIAL: t0.30 PHOSPHOR BRONZE C5191	DIMENSIONS : MM TOLERANCE UNLESS OTHERWISE SPECIFIED: X.XXX +/-0.05 X.XX +/-0.10 X.X +/-0.20 X +/-0.50
EFFECTIVE DATE : 8/7/08	DWN: KS YEW CHK: CY CHUANG APVD: CHUANG YL SCALE : FREE DRAWING NO: A1361
TREATMENT SELECTIVE NONE	PART NUMBER AL6003P-1
PART NAME: EPI Terminals & Connectors Elamp Precision Industry(M) Sdn.Bhd.	
QUICK DISCONNECTABLE TERMINALS APPLICABLE (1) TERMINALS (2) HOUSING (1) - (2) -	